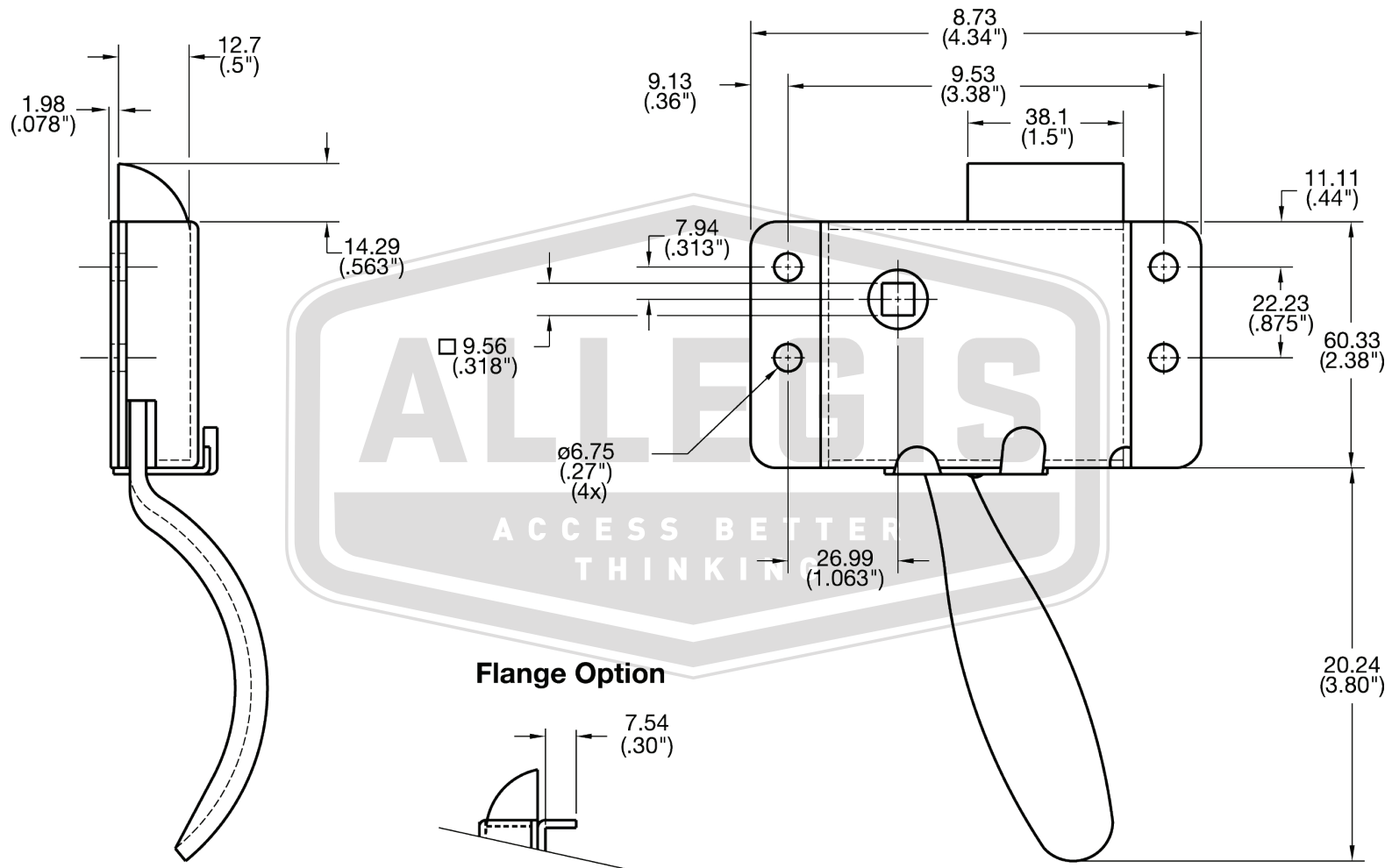


APPROVAL - CUSTOMER NAME & SIGNATURE	DATE



ALLEGIS	1-866-378-7550
MATERIAL: Zinc	DRAWING NO. : 56A ZN LH
FINISH:	
REV. : 1:1	DATE: 6/12/2019