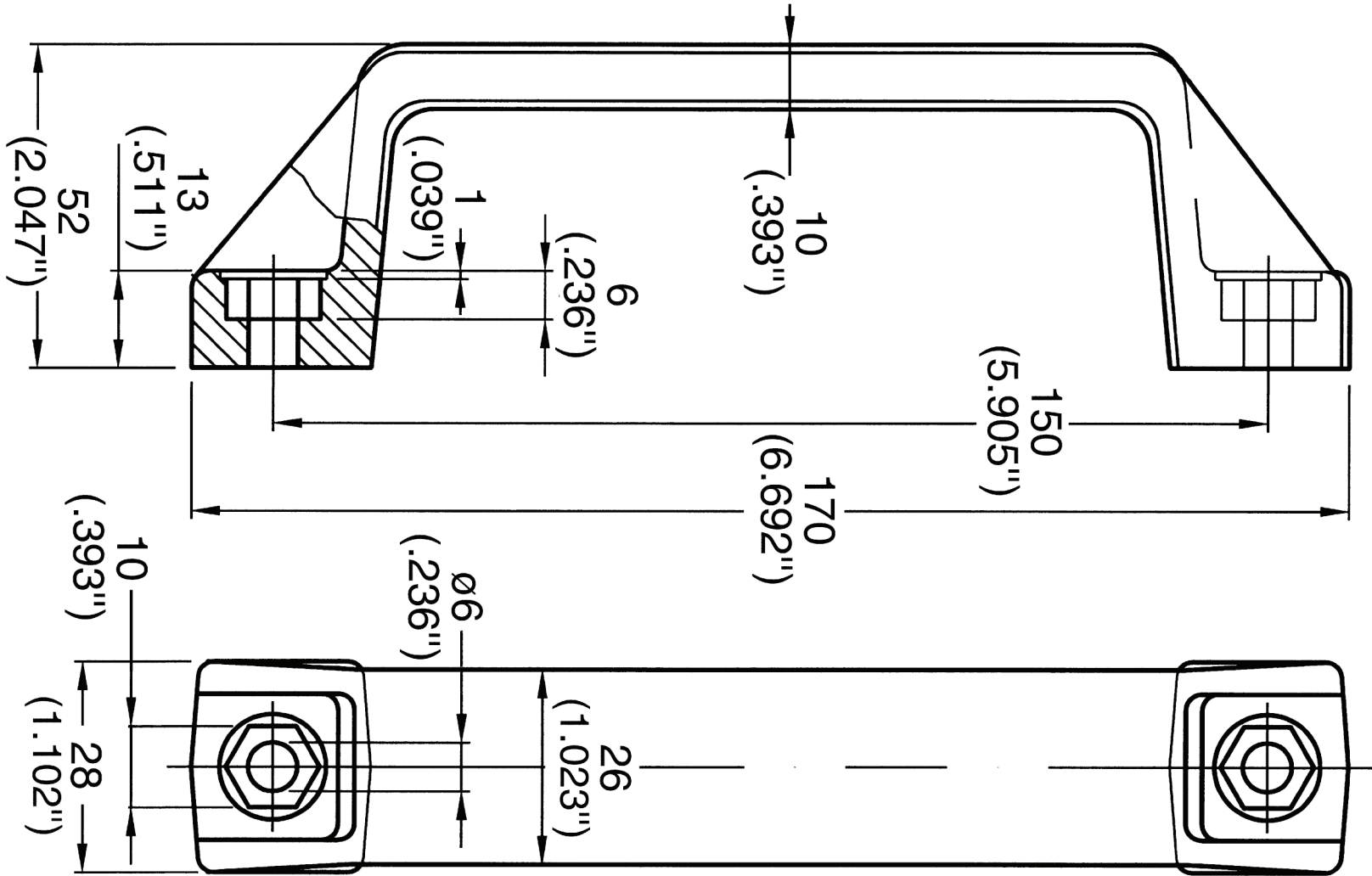


APPROVAL - CUSTOMER NAME & SIGNATURE

DATE



ALLEGIS

1-866-378-7550

MATERIAL:

DRAWING NO. :

575035

FINISH:

Black

REV.:

1:1

DATE:

6/12/2019