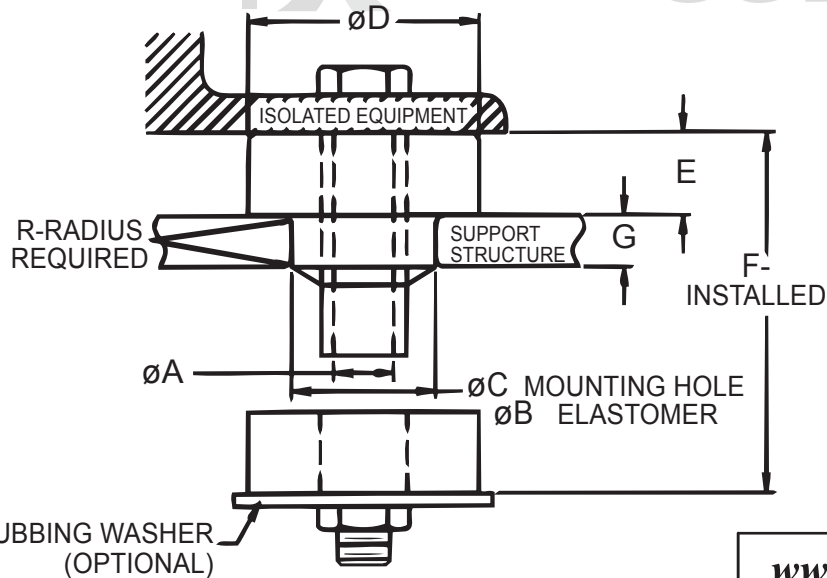
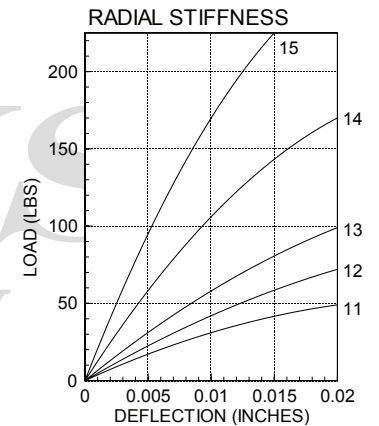
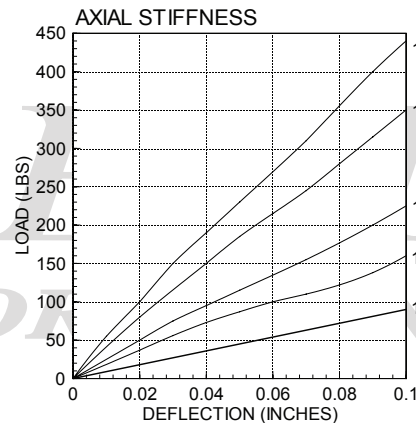


Part No.	A	B	C	D	E	F	G		R
							Thin Support	Thick Support	
60011 thru 15	0.39	0.78	0.75	1.25	0.50	1.25	0.37	N/A	0.03
60021 thru 25	0.53	1.31	1.25	1.87	0.78	1.94	0.50	0.56	0.06
60031 thru 35	0.64	1.55	1.50	2.53	0.90	2.45	0.75	0.88	0.08
60041 thru 45	0.94	2.30	2.25	3.50	1.00	2.88	1.00	1.12	0.12
60051 thru 55	1.06	2.55	2.50	4.88	1.25	3.38	1.00	1.25	0.12



**Static Load Rating (lbs.)**

Part No.	Color Code	Thin Support	
		Axial	Radial
60011	Yellow	35	18
60012	Red	80	27
60013	Green	130	36
60014	Blue	235	45
60015	White	280	55

[www.ALLEGISCORP.com](http://www.ALLEGISCORP.com)

1-866-378-7550

MATERIAL / FINISH :

Standard Neoprene elastomer

REV. :

1 : 1

DATE :

1-10-2013

DESCRIPTION :

Universal Mount

DRAWING NO. :

60011 - 60015