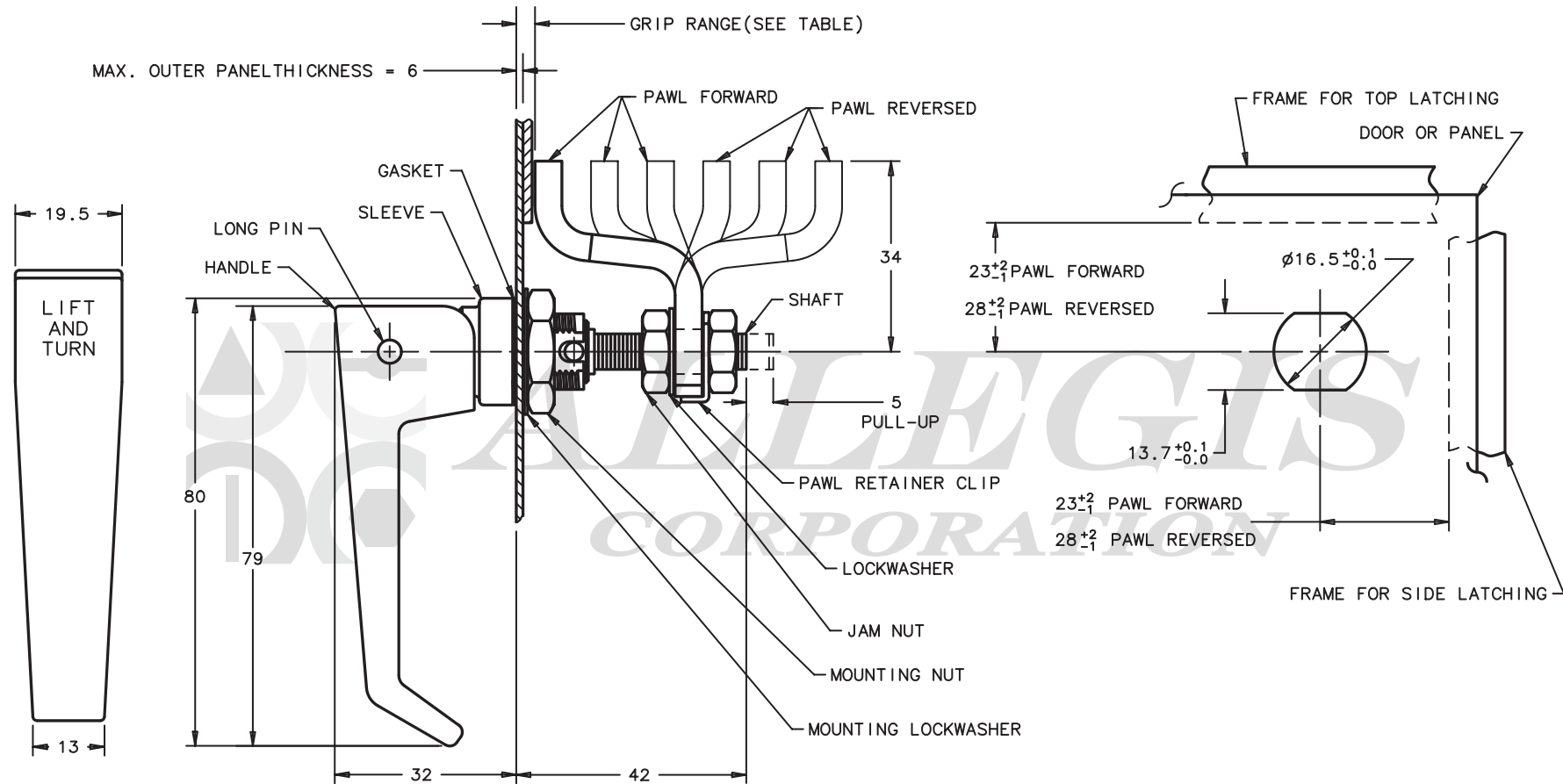


PANEL PREPARATION



MIN	MAX	POLISHED CHROME	BRUSHED CHROME	BLACK POWDER COATED
0	5	62-30-11	62-30-12	62-30-15
5	15	62-30-21	62-30-22	62-30-25
15	25	62-30-31	62-30-32	62-30-35
25	35	62-30-31	62-30-32	62-30-35
35	45	62-30-21	62-30-22	62-30-25
45	55	62-30-11	62-30-12	62-30-15

<p>www.ALLEGISCORP.com 1-866-378-7550</p>		<p>MATERIAL / FINISH : Black powder coated, Brushed Chrome Polished Chrome</p>	
REV. :	DATE :	DESCRIPTION :	DRAWING NO. :
1 : 1	4-10-2018	Lift & Turn	See Chart