

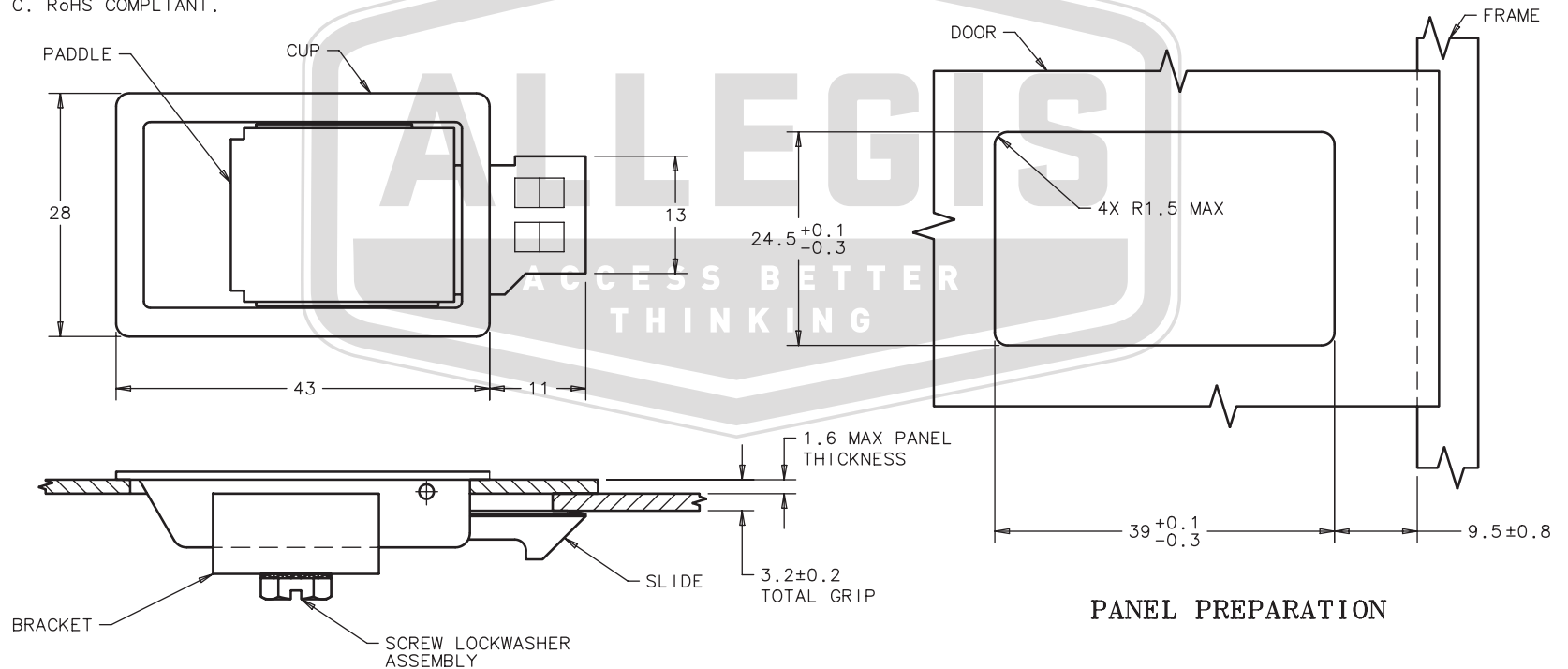
APPROVAL - CUSTOMER NAME & SIGNATURE

DATE

REV	DATE	DRAWN/CHKD	DESCRIPTION	ITEM	PART NUMBER	MATERIAL	FINISH
A	16NOV2001	VNI	PRN: P2001-0661	ASSEMBLY	64-01-10	-	-
B	22NOV2002	RLR/VNI	PRN: P2002-0896	CUP	-	STAINLESS STEEL	SEE NOTE A
C	07FEB2004	VNI/RLR	PRN: P2004-0125	PADDLE	-	STAINLESS STEEL	SEE NOTE A
D	01APR2004	AAB/RLR	PRN: P2004-0337	SLIDE	-	GLASS REINFORCED NYLON, UL94 V0 RATED	BLACK
E	23FEB2005	MDY/RLR	PRN: P2005-0248	LEVER	-	GLASS REINFORCED NYLON, UL94 V0 RATED	BLACK
F	06SEP2005	RLR/MJS	PRN: P2005-1169	SPRING	-	STAINLESS STEEL	PASSIVATED
				RIVET	-	STAINLESS STEEL	PASSIVATED
				TAPPED RIVET	-	STAINLESS STEEL	NATURAL
				BRACKET	-	STAINLESS STEEL	PASSIVATED
				SCREW/LOCKWASHER ASSEMBLY	-	STAINLESS STEEL	PASSIVATED

NOTES:

- A. FINISH: BRUSHED PASSIVATED.
- B. SOUTHCO RECOMMENDS HAND TORQUING OF MOUNTING SCREW TO A VALUE LESS THAN OR EQUAL TO 0.9 N.m, OR LATCH PERFORMANCE MAY BE AFFECTED.
- C. RoHS COMPLIANT.



PANEL PREPARATION

ALLEGIS	1-866-378-7550
MATERIAL: Stainless Steel	DRAWING NO. : 64-01-10
FINISH: Passivated	
REV.: 1:1	DATE: 5/29/2019