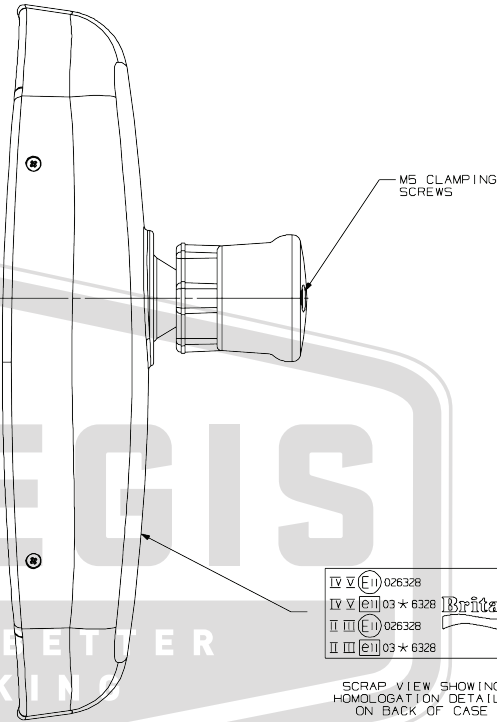
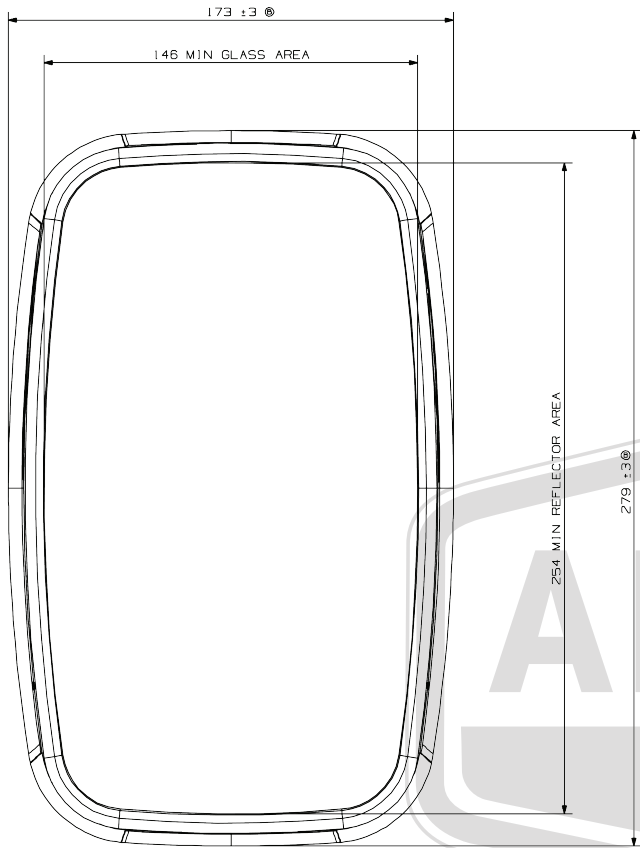


APPROVAL - CUSTOMER NAME & SIGNATURE

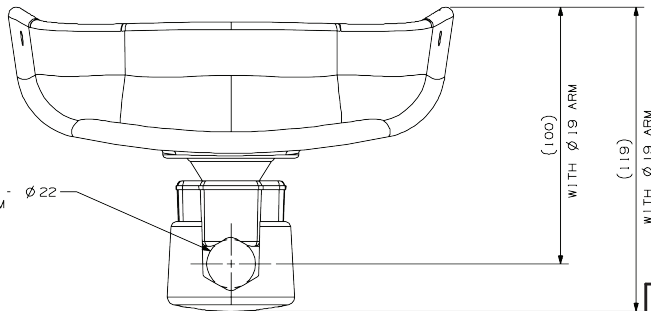
DATE



IV V (E) 026328
 IV V (E) 03 * 6328
 II (E) 026328
 II (E) 03 * 6328



SCRAP VIEW SHOWING
 HOMOLOGATION DETAILS
 ON BACK OF CASE



FITS Ø12.5 - Ø22
 MOUNTING ARM

ALLEGIS		1-866-378-7550
MATERIAL:	DRAWING NO. : 7112.022.A	
FINISH:		
REV. : 1:1	DATE: 6/12/2019	