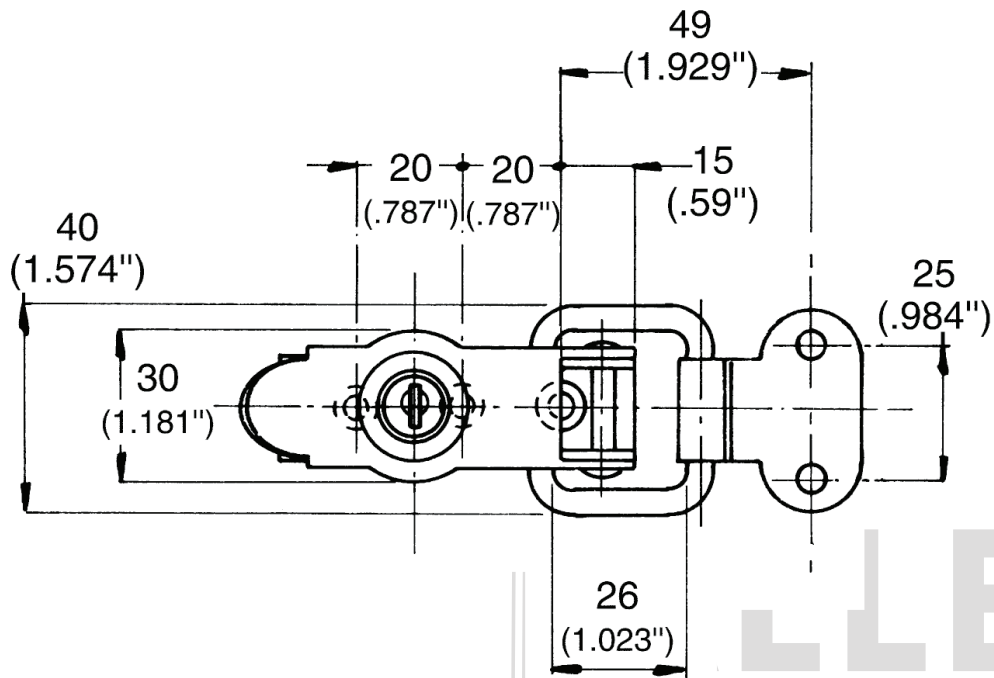
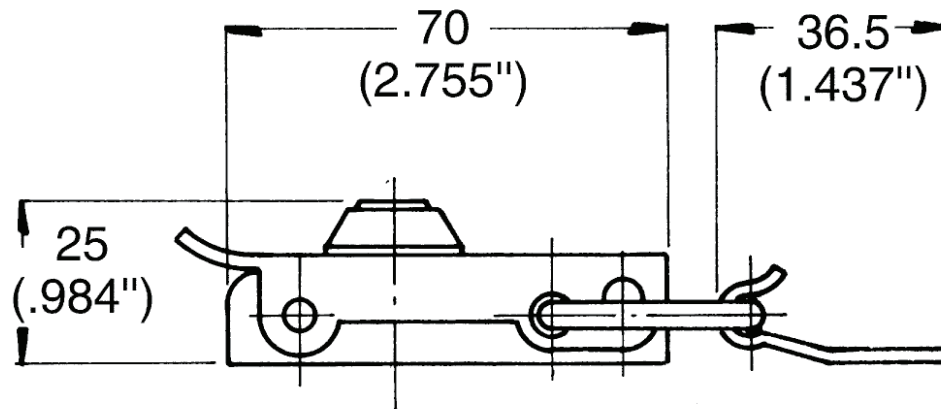


APPROVAL - CUSTOMER NAME & SIGNATURE

DATE



ALLEGIS



ALLEGIS

1-866-378-7550

MATERIAL:

DRAWING NO.:

723201101

FINISH:

REV.:

1:1

DATE:

6/13/2019