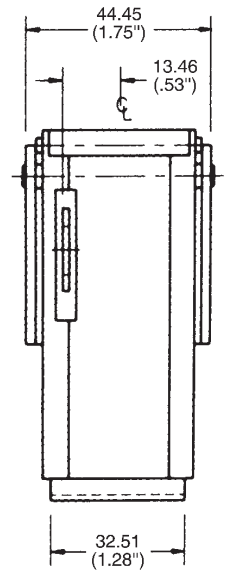
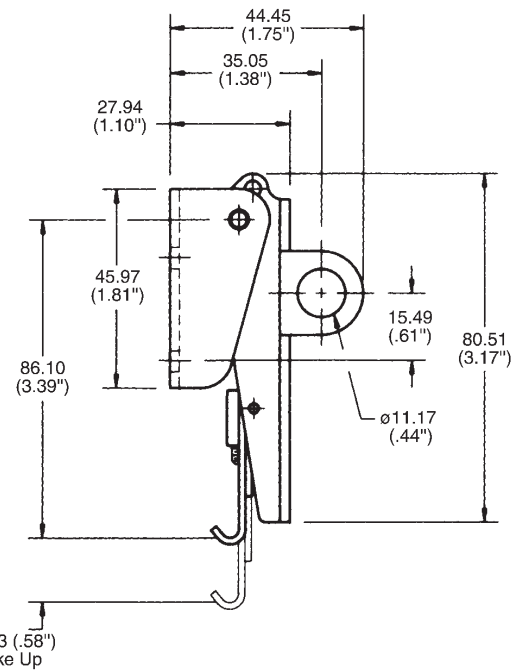
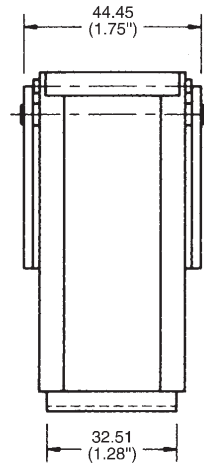
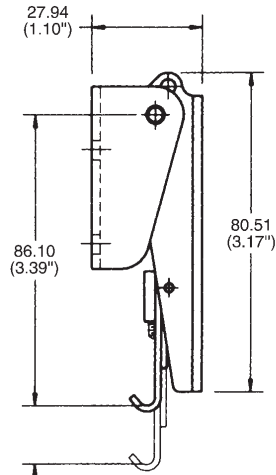
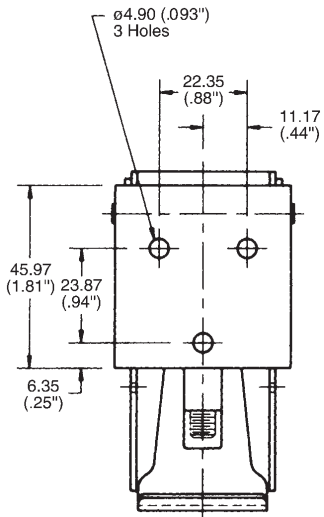


APPROVAL - CUSTOMER NAME & SIGNATURE

DATE



No. 750

14.73 (.58")
Take Up

14.73 (.58")
Take Up



ALLEGIS

1-866-378-7550

MATERIAL:
Stainless Steel

DRAWING NO. :
750 SS

FINISH:

REV. :
1:1

DATE:
6/13/2019