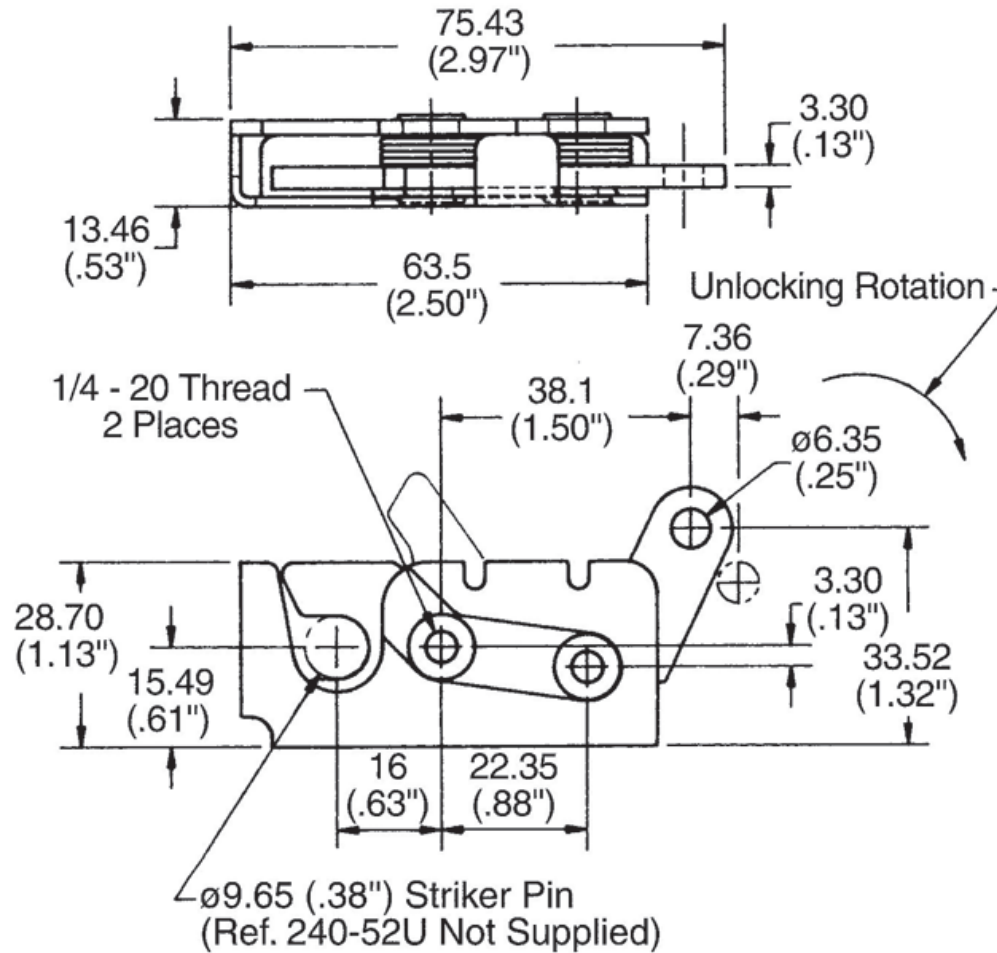


APPROVAL - CUSTOMER NAME & SIGNATURE

DATE



**ALLEGIS**

1-866-378-7550

MATERIAL:

Stainless Steel

DRAWING NO.:

8-240LH

FINISH:

REV.:

1:1

DATE:

6/13/2019