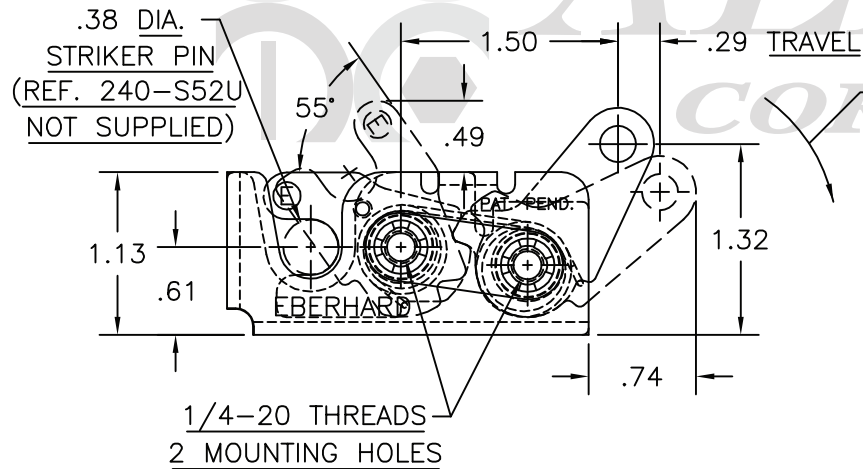
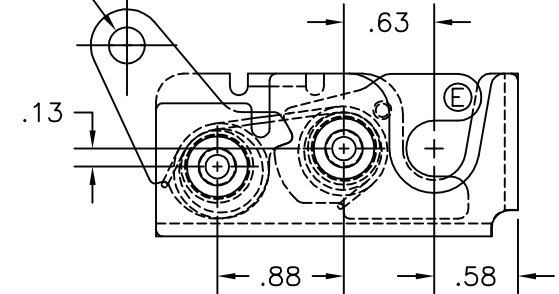
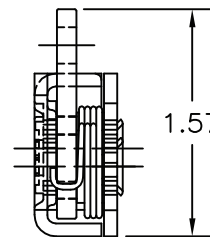


8-241-SSL
LEFT HAND
SINGLE STAGE
MINI-ROTARY™ LOCK



DIRECTION OF ROTATION

① $\phi .250 / .240$



NOTES:

1. USE 1/4-20 GRADE 8 BOLTS FOR INSTALLATION. RECOMMENDED TORQUE FOR TIGHTENING: 14 FT./LBS.
2. MAX. LOAD RATING: 750 LBS.
3. FINISH: (22) PASSIVATED QQ-P-35 TYPE 1

| | | | |
|---|----------------------------|---|--------------------------------------|
| www.ALLEGISCORP.com 1-866-378-7550 | | MATERIAL / FINISH : Stainless Steel | |
| REV. : 1 : 1 | DATE : 2-20-2015 | DESCRIPTION : Mini-Rotary Latch | DRAWING NO. : 8-241 SS R/L |