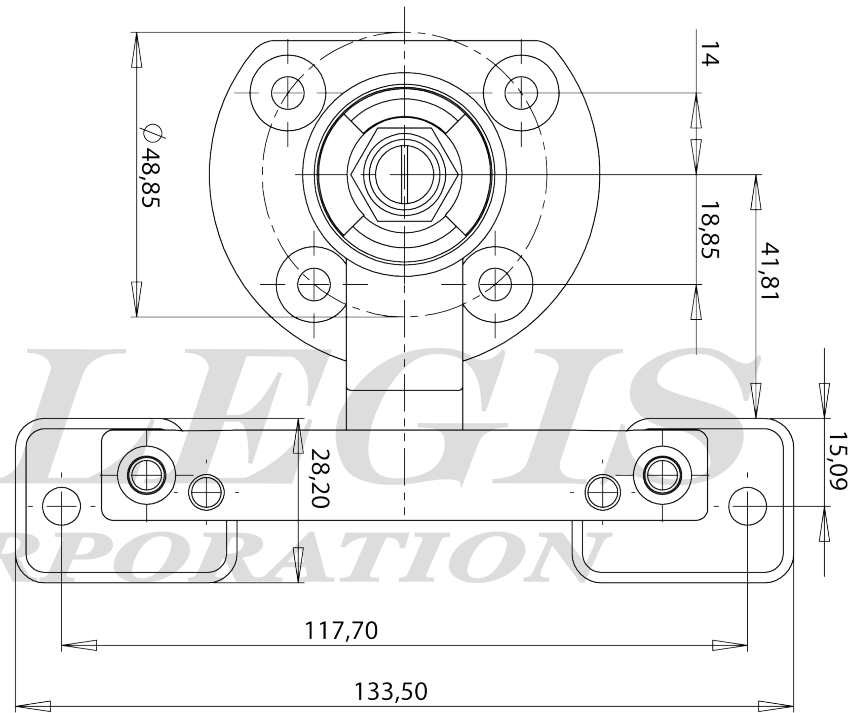
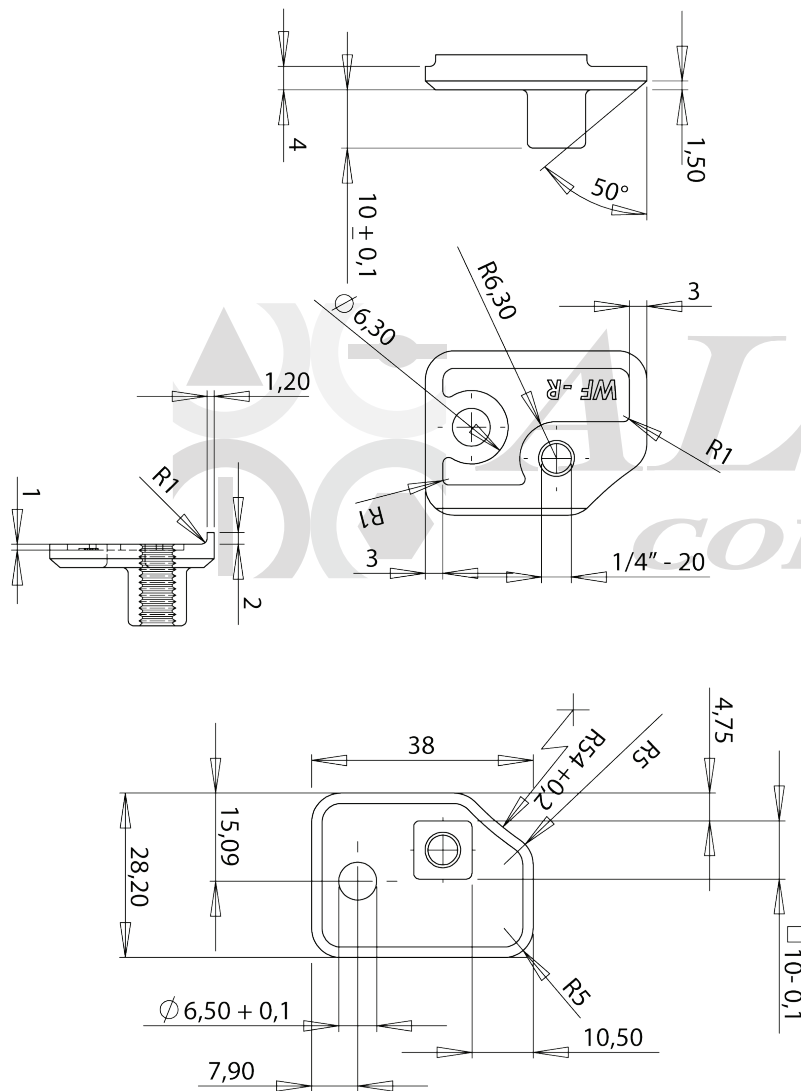


APPROVAL - CUSTOMER NAME & SIGNATURE

DATE



**www.ALLEGISCORP.com**  
**1-866-378-7550**

MATERIAL / FINISH :  
 Zinc die-cast / Zinc-plated

REV. :  
 1 : 1

DATE :  
 1-11-2016

DESCRIPTION :  
 Surface Mount Latch

DRAWING NO. :  
 8-325-10