

SEALING  
WASHER  
.5 (.02)

Housing  
Length

7 (.28)

O-RING

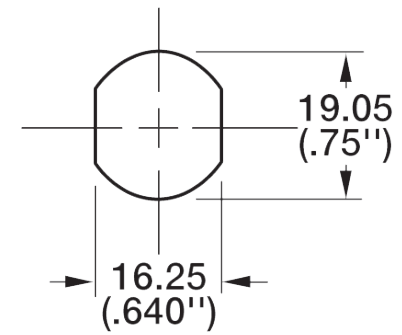
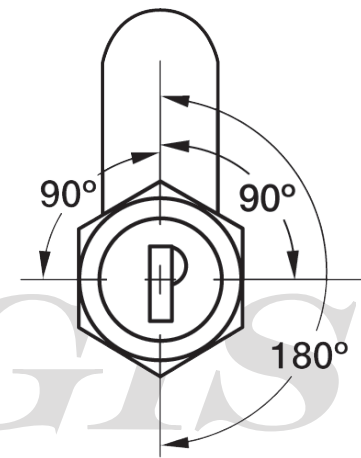
CAM GRIP

FRAME

Cam Forward

Straight

Cam Reversed



P/N	Housing Length Dimensions	
84	15.87	(.625'')
85	22.22	(.875'')
86	28.57	(1.125'')

**Key Codes**  
 AC1 CH545  
 AC2 CH751  
 AC112 AC1250

<a href="http://www.ALLEGISCORP.com">www.ALLEGISCORP.com</a> <b>1-866-378-7550</b>		MATERIAL / FINISH : Stainless Steel cap	
REV. :	DATE :	DESCRIPTION :	DRAWING NO. :
1 : 1	1-10-2013	Lock Cylinder	84, 85, 86