

APPROVAL - CUSTOMER NAME & SIGNATURE

DATE

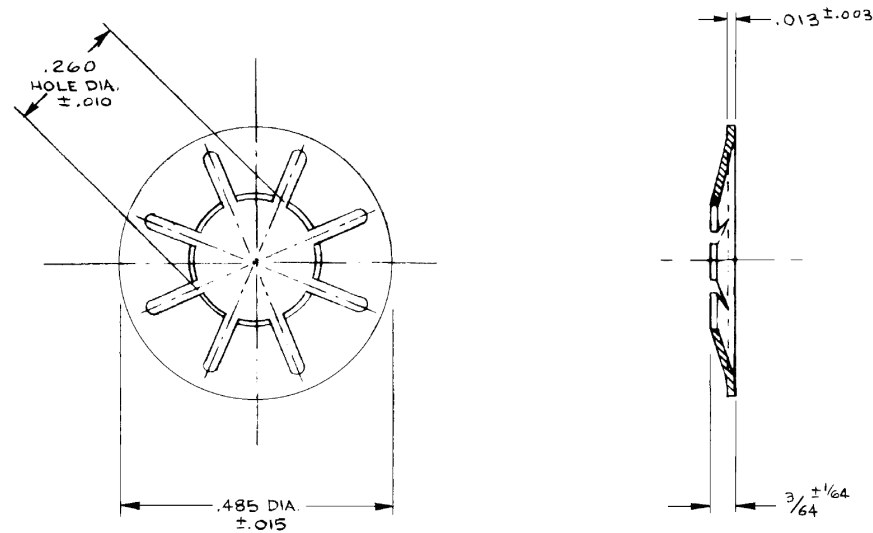


SOUTHCO No 85 PUSH ON RETAINER

DATE	DRAWN	CHKD	SCALE	DRAWING NUMBER
11-7-72	ESK		N.T.S.	J-85-34-201-20

REV. LET.	DATE	BY-CHKD	REVISIONS	PART N ^o	MATERIAL	FINISH				R.S.	DATE	APP
A	6-25-76	ESK	FINISH WAS CHG. PL. (PRN-85-20)	85-34-201-20	STAINLESS STEEL	PASSIVATE				A		
B	6-14-77	PEK	PRN-120-14							B		
C	10-10-79	ESK	PRN-85-33							C		
D	2-8-82	ASF	PRN S-1-01							D		
E	12JAN93	JC	PRN: S-1-03									

REF. G.M. PART No 15701717



ALLEGIS

1-866-378-7550

MATERIAL:

Stainless Steel

DRAWING NO.:

85-34-201-20

FINISH:

Passivated

REV.:

1:1

DATE:

5/22/2019