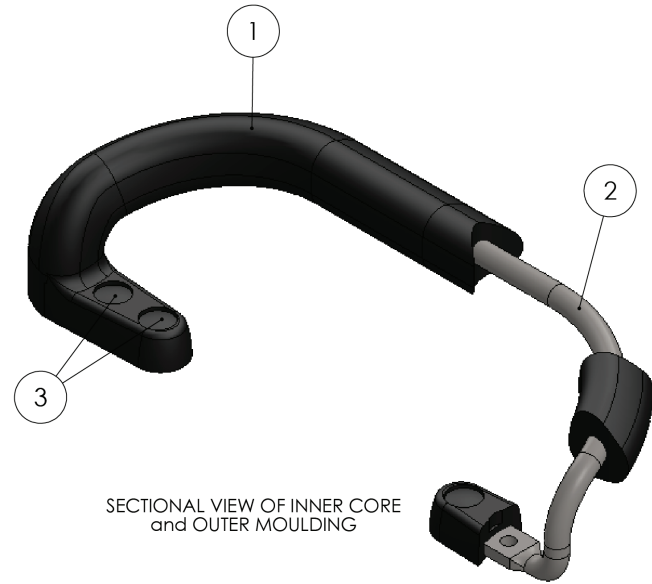
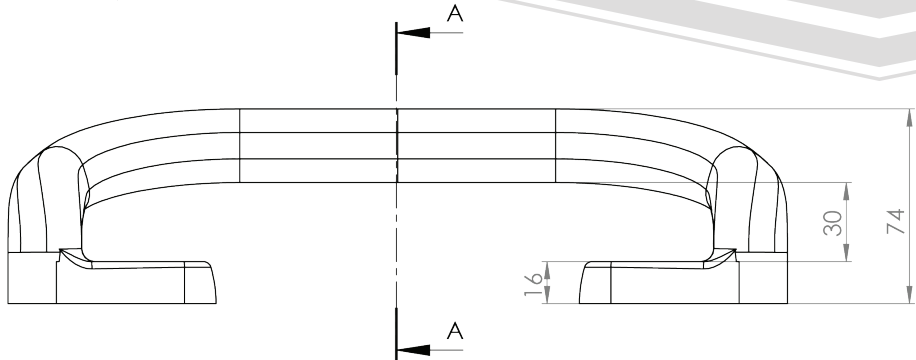
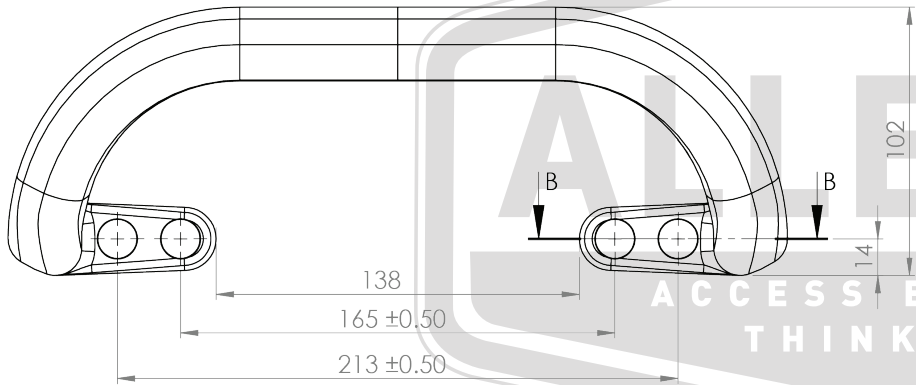
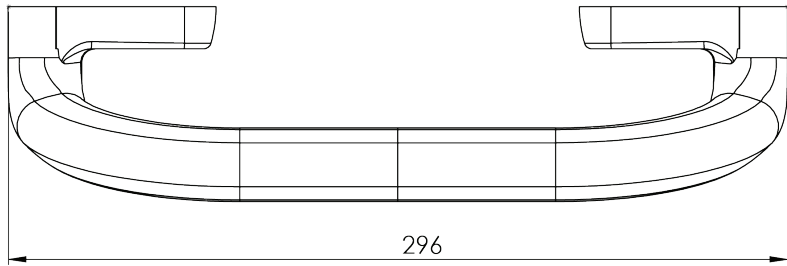
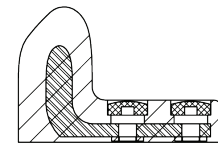


APPROVAL - CUSTOMER NAME & SIGNATURE

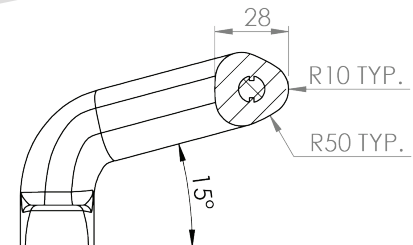
DATE



SECTIONAL VIEW OF INNER CORE  
and OUTER MOULDING



SECTION B-B



SECTION A-A

**ALLEGIS**

1-866-378-7550

MATERIAL:

DRAWING NO. :

9-01725

FINISH:

REV.:

1:1

DATE:

6/13/2019