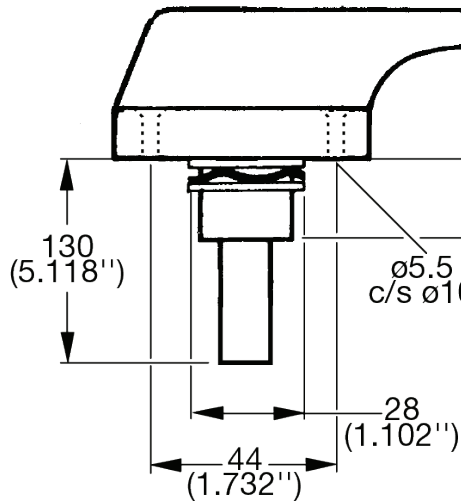
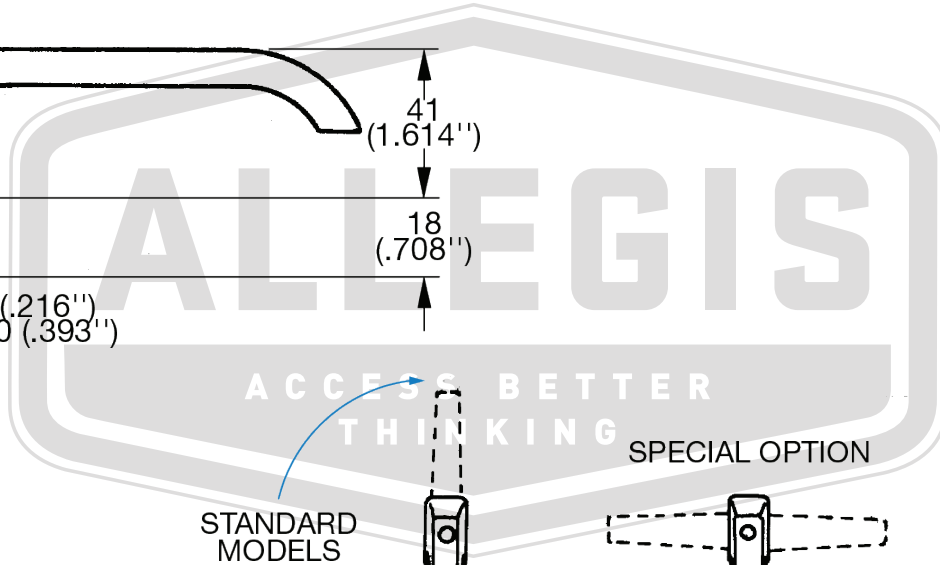


APPROVAL - CUSTOMER NAME & SIGNATURE	DATE



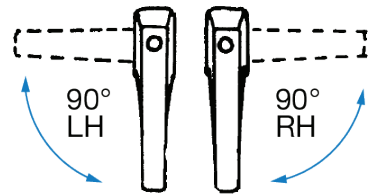
Ø5.5 (.216")  
c/s Ø10 (.393")



STANDARD  
MODELS

180° VERTICAL  
(NON-HANDED)

180° HORIZONTAL  
(NON-HANDED)



<b>ALLEGIS</b>	1-866-378-7550
MATERIAL:	DRAWING NO. : 9.01071
FINISH:	
REV. : 1:1	DATE: 6/13/2019