

NOTES:

- A. USE M4 HARDWARE FOR MOUNTING.
- B. BEFORE CHANGING GRIP RANGE LOOSEN ADJUSTING NUT.
- C. THREAD SIZE OF HOOK IS M5.

REV	DATE	DRAWN/CHKD	DESCRIPTION	PART NUMBER
I	16APR2007	BWR/MDY	PRN: P2007-0521	91-5X2-YY
J	21MAR2012	ACH/SMM	PRN: P2012-0385	
K	02APR2014	CMS/MGG	PRN: P2014-0655	
L	23OCT2018	CMS/CBI	PRN: P2018-2441	

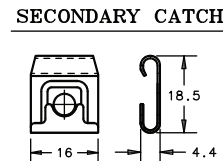
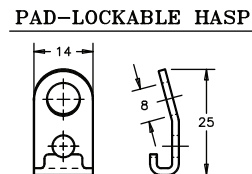
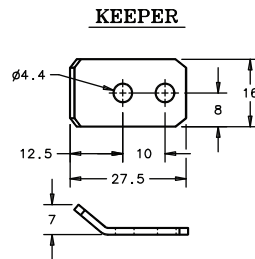
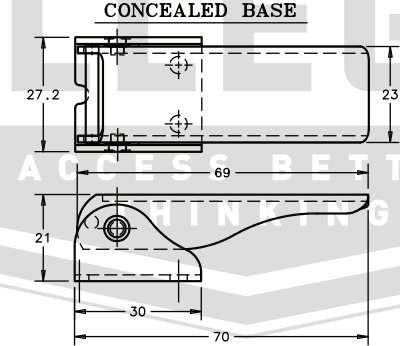
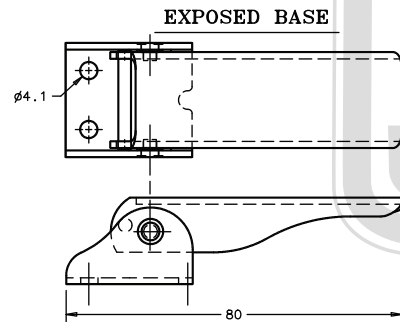
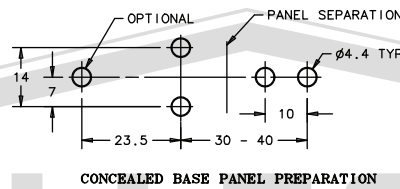
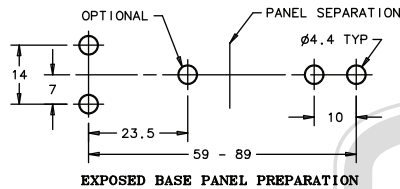
X= BASE

- 1: CONCEALED
- 2: CONCEALED, SECONDARY CATCH
- 3: CONCEALED, PADLOCK HASP
- 5: EXPOSED
- 6: EXPOSED, SECONDARY CATCH
- 7: EXPOSED, PADLOCK HASP

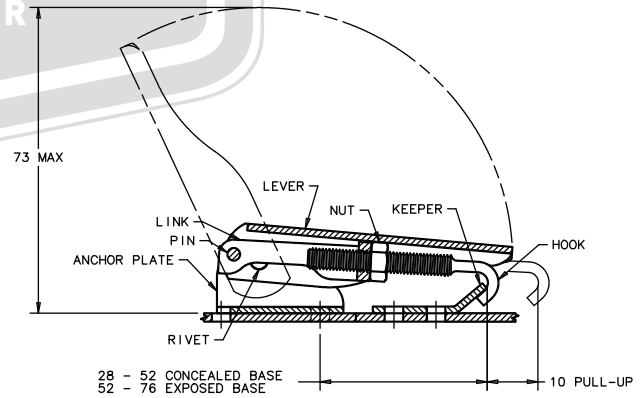
YY= MATERIAL AND FINISH

- 07: STEEL, ZINC PLATE BRIGHT
- 25: STAINLESS STEEL BLACK E-COAT AND POWDER (HOOK AND NUT; STAINLESS STEEL, BLACK OXIDE)
- 52: STAINLESS STEEL, PASSIVATED
- 63: STAINLESS STEEL, BLACK OXIDE

PANEL PREPARATION



KEEPER PART NUMBER	
FINISH	HOOK STYLE KEEPER (CONCEALED)
STEEL, ZINC PLATE BRIGHT	91-600-07
STAINLESS STEEL, PASSIVATED	91-600-52
STAINLESS STEEL, BLACK OXIDE	91-600-63



ALLEGIS	1-866-378-7550
MATERIAL: Stainless Steel	DRAWING NO. : 91-552-52
FINISH: Passivated	
REV.: 1:1	DATE: 5/29/2019