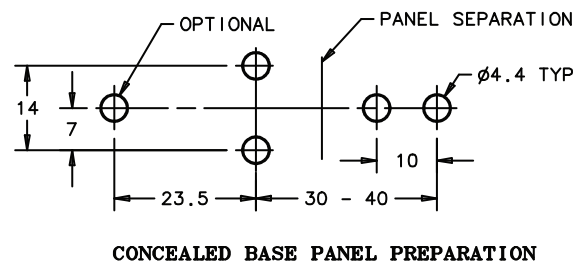
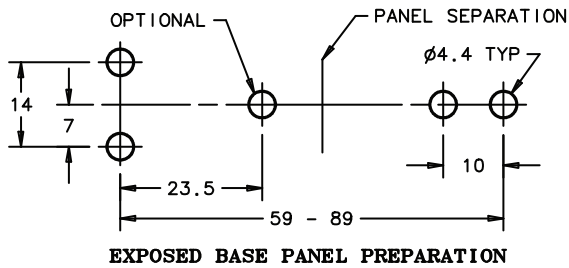
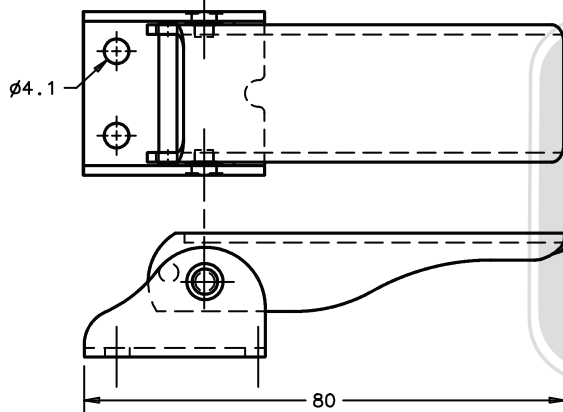


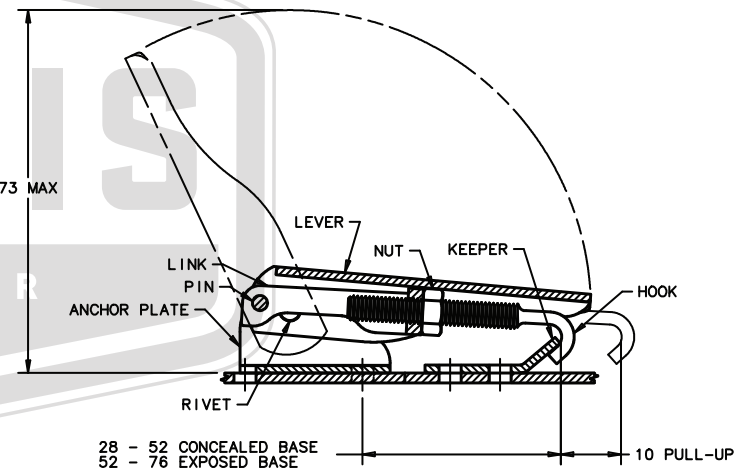
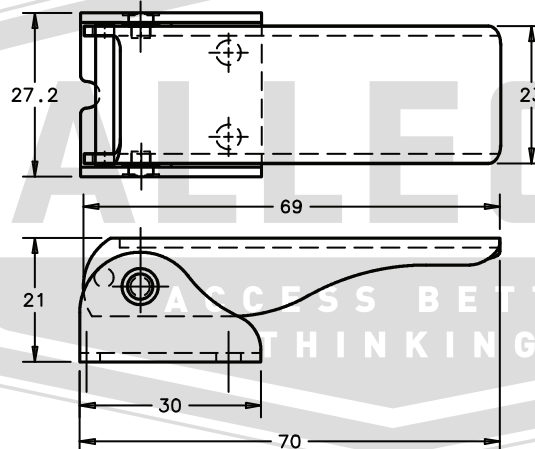
PANEL PREPARATION



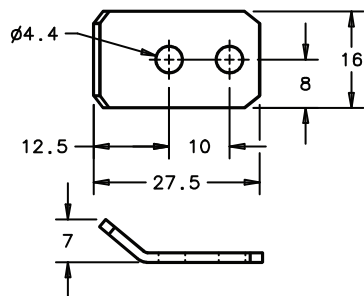
EXPOSED BASE



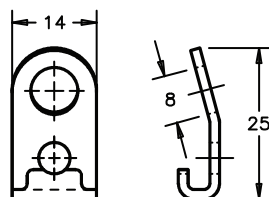
CONCEALED BASE



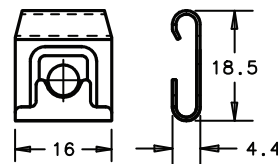
KEEPER



PAD-LOCKABLE HASP



SECONDARY CATCH



Part Number	Description
91-532-52	Concealed Padlock Hasp
91-562-52	Exposed Secondary Catch

www.allegiscorp.com
1-866-378-7550

MATERIAL / FINISH:
Passivated Stainless Steel

REV.: Rev. 1	SCALE:	DATE: 9-20-24	DESCRIPTION: Draw Latch	DRAWING NO.: See Above
-----------------	--------	------------------	----------------------------	---------------------------