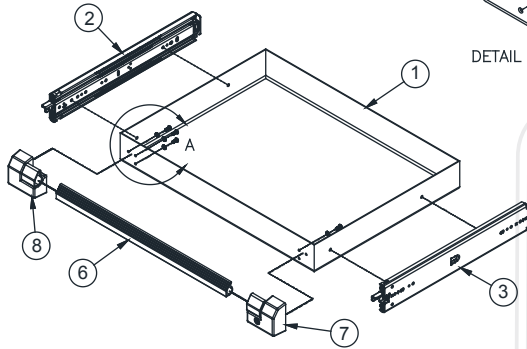
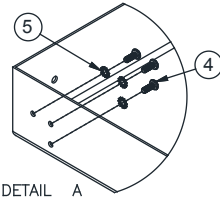


Parts List		
No	Part Description	Qty
1	Drawer, not included	1
2	9308/9301 Accuride Slide Series, not included	1
3	9308 Accuride Slide Series, not included	1
4	#10-32 Machine screw	6
5	#10-32 External-tooth lock washer	6
6	Aluminum bar	1
7	RH End Cap, sold separately	1
8	LH End Cap, sold separately	1

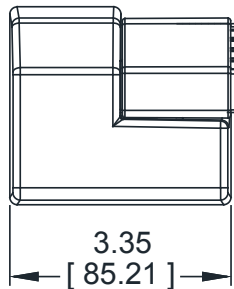


### 9308EZ-RELEASE Part Numbers

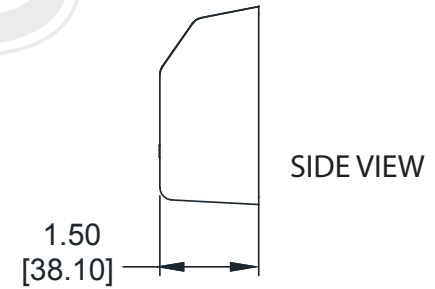
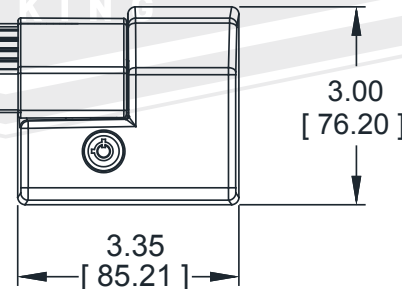
Part Number	Description	Qty Per Box	Lock	HRS Plug	Hardware Kit	Drawer Width	Bar Length
EZREL -BAR16	Handle Bar - 16"	16 Each	-	-	-	16.00 [406.5]	13.00 [330.2]
EZREL -BAR18	Handle Bar - 18"	16 Each	-	-	-	18.00 [457.2]	15.00 [381.0]
EZREL -BAR24	Handle Bar - 24"	16 Each	-	-	-	24.00 [609.6]	21.00 [533.4]
EZREL -BAR30	Handle Bar - 30"	8 Each	-	-	-	30.00 [762.0]	27.00 [685.8]
EZREL -BAR36	Handle Bar - 36"	8 Each	-	-	-	36.00 [914.4]	33.00 [838.2]
EZREL -BAR48	Handle Bar - 48"	4 Each	-	-	-	48.00 [1219.2]	45.00 [1143.0]
EZREL -BAR60	Handle Bar - 60"	4 Each	-	-	-	60.00 [1524.0]	57.00 [1447.8]
EZREL -BAR120	Handle Bar - 120"	4 Each	-	-	-	-	120.00 [3048.0]
EZREL -BAR120BK	Black Handle Bar - 120"	4 Each	-	-	-	-	120.00 [3048.0]

Without Lock	With Lock	Drawer width
EZREL-16D	EZREL-16LOCKD	16" Max
EZREL-18D	EZREL-18LOCKD	18" Max
EZREL-24D	EZREL-24LOCKD	24" Max
EZREL-30D	EZREL-30LOCKD	30" Max
EZREL-36D	EZREL-36LOCKD	36" Max
EZREL-48D	EZREL-48LOCKD	48" Max
EZREL-60D	EZREL-60LOCKD	60" Max

Part Number	Description
EZREL-CAPRB	End cap set w/ right cap lock
EZREL-CAPNB	End Cap set w/ no lock

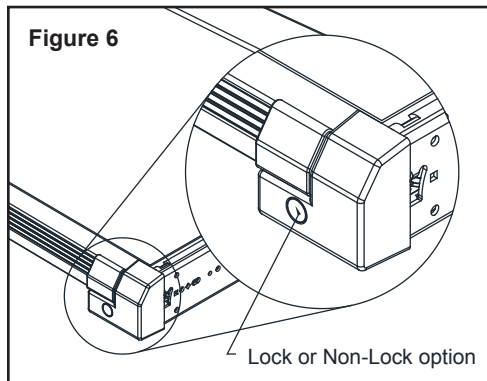


FRONT



SIDE VIEW

Inch  
[mm]



**ALLEGIS**  
ACCESS BETTER THINKING

MATERIAL: Aluminum	DRAWING NO : EZREL-BAR _____
FINISH: Anodized	
REV: 1:1	DATE: 1-20-2022

9308 EZ-Release is a drawer-release system that lets users to open locking drawers or compartments quickly and single-handedly. All slides are sold separately.

For use with pairs of 9307E, 9308E, 9327E, and 9328E, or in combination with 9301E or 9308-E5