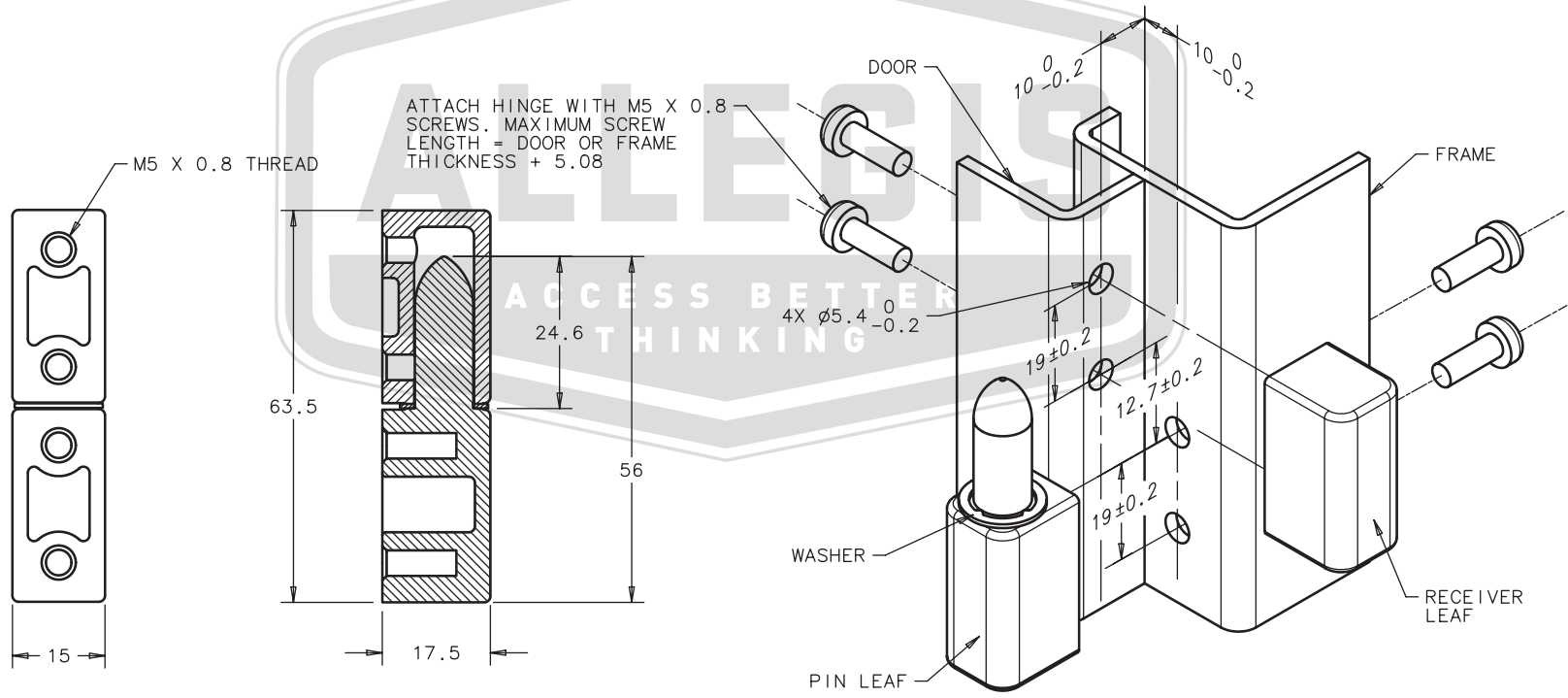


APPROVAL - CUSTOMER NAME & SIGNATURE

DATE

REV	DATE	DRAWN/CHKD	DESCRIPTION	ITEM	PART NUMBER	MATERIAL	FINISH
G	17MAR2005	VNI/AJH	PRN: P2005-0348	ASSEMBLY	96-50-500-50	-	-
H	23OCT2013	MJS/MSR	PRN: P2013-2100	PIN LEAF	-	DIE CAST ZINC	BLACK POWDER COAT
				RECEIVER LEAF	-	DIE CAST ZINC	BLACK POWDER COAT
				WASHER	-	NYLON	BLACK
				ASSEMBLY	96-50-500-39	-	-
				PIN LEAF	-	DIE CAST ZINC	POLISHED CHROME
				RECEIVER LEAF	-	DIE CAST ZINC	POLISHED CHROME
				WASHER	-	NYLON	NATURAL
				ASSEMBLY	96-50-500-33	-	-
				PIN LEAF	-	DIE CAST ZINC	NATURAL
				RECEIVER LEAF	-	DIE CAST ZINC	NATURAL
				WASHER	-	NYLON	BLACK



SECTION VIEW

<b>ALLEGIS</b>		1-866-378-7550
MATERIAL: Zinc Alloy	DRAWING NO. : 96-50-500-50	
FINISH: Powder Coat		
REV. : 1:1	DATE: 5/29/2019	