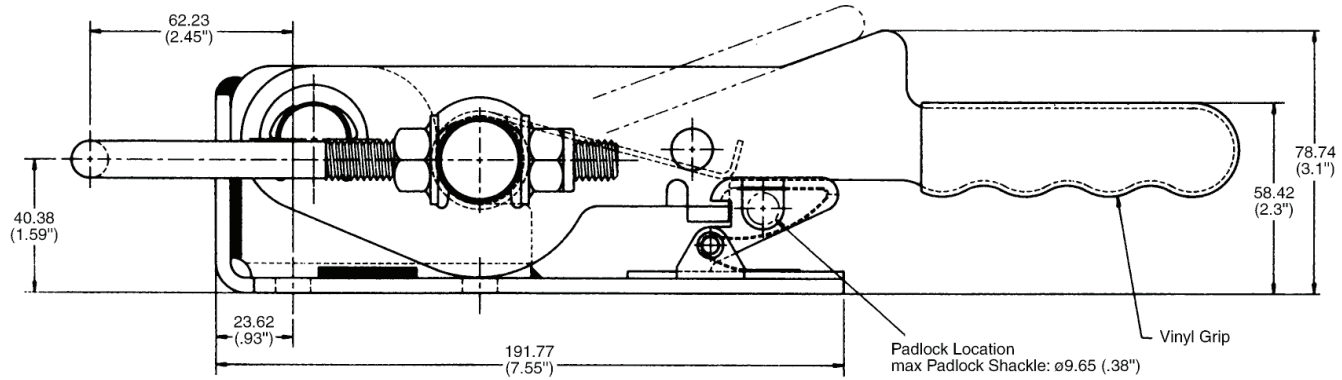
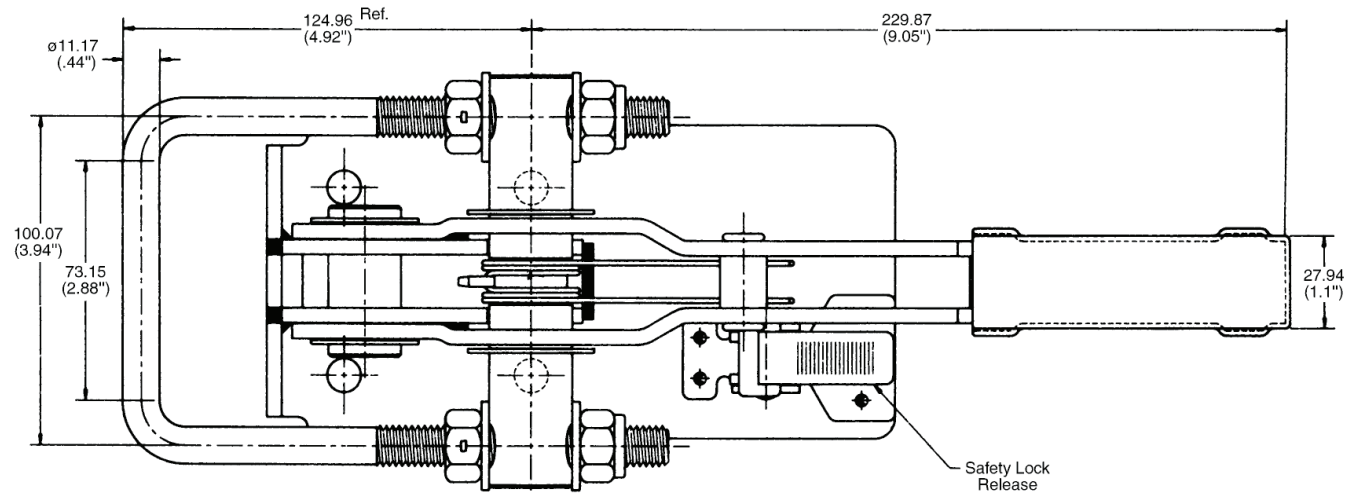


APPROVAL - CUSTOMER NAME & SIGNATURE

DATE



| | | | |
|----------------|--|----------------|--|
| ALLEGIS | | 1-866-378-7550 | |
| MATERIAL: | | DRAWING NO. : | |
| | | 960 | |
| FINISH: | | | |
| REV. : | | DATE: | |
| 1:1 | | 6/13/2019 | |