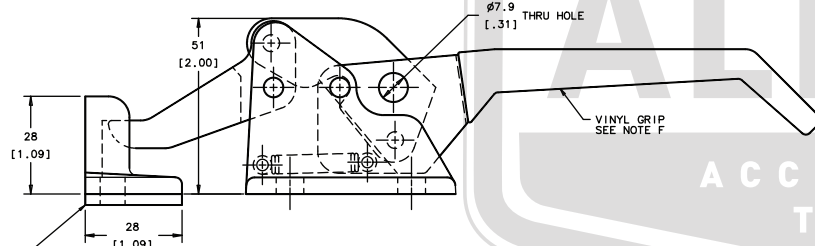
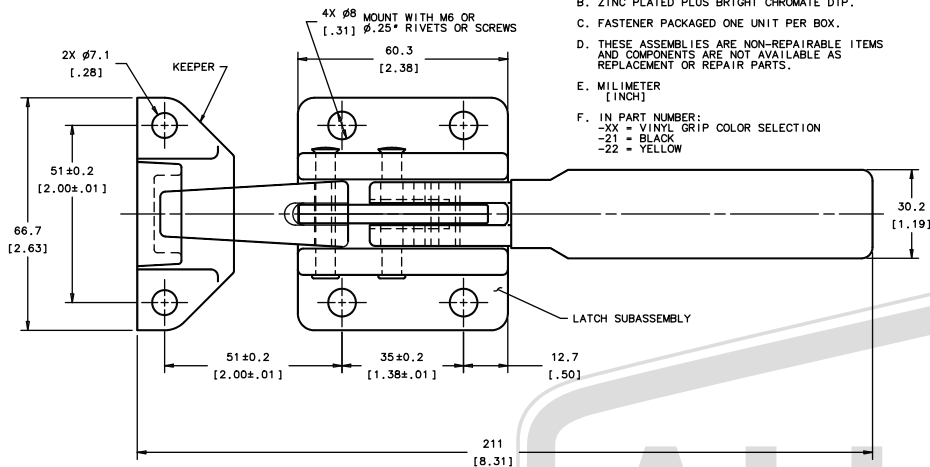


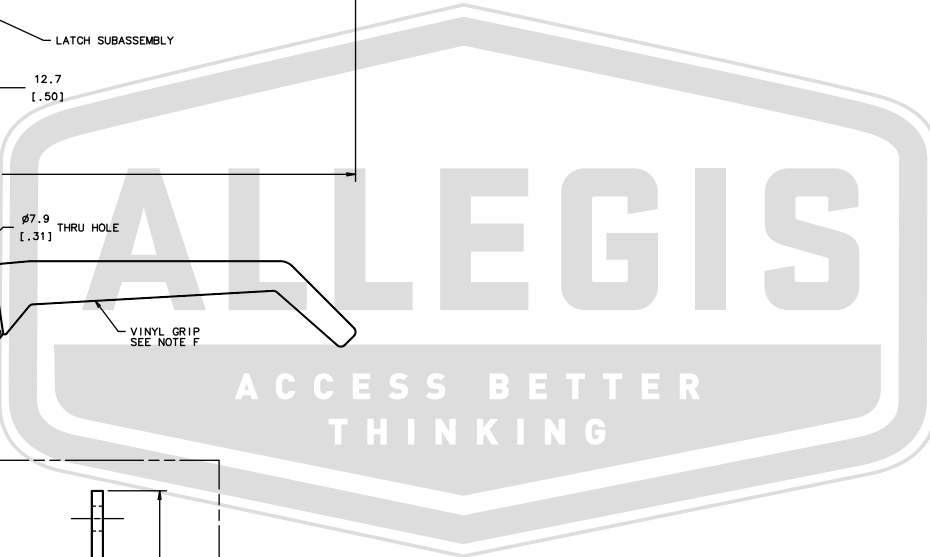
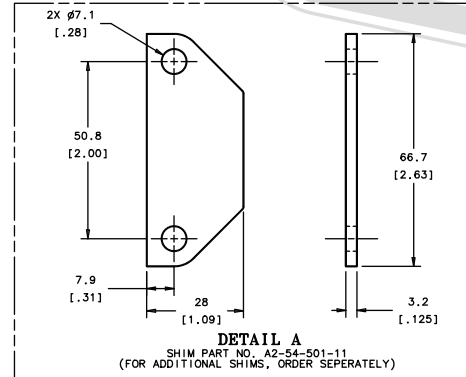
APPROVAL - CUSTOMER NAME & SIGNATURE

DATE

- NOTES:
- A. ZINC FLAKE COATING PLUS BRIGHT METALLIC ORGANIC COATING.
 - B. ZINC PLATED PLUS BRIGHT CHROMATE DIP.
 - C. FASTENER PACKAGED ONE UNIT PER BOX.
 - D. THESE ASSEMBLIES ARE NON-REPAIRABLE ITEMS AND COMPONENTS ARE NOT AVAILABLE AS REPLACEMENT OR REPAIR PARTS.
 - E. MILLIMETER [INCH]
 - F. IN PART NUMBER:
 -XX = VINYL GRIP COLOR SELECTION
 -21 = BLACK
 -22 = YELLOW



SHIM (SEE DETAIL "A") (SHIPPED UNASSEMBLED)



REV	DATE	DRAWN/CHKD	DESCRIPTION	ITEM	COMPONENT	PART NO.	MATERIAL	FINISH
M	30JUN93	JGK	PRN: A2-42	ASSEMBLY		A2-10-501-21		
N	22JUN99	JDK/CHW	PRN: A2-54A	LATCH SUBASSEMBLY				
O	20SEP2000	FJB/JSS	PRN: A2-55A		BASE		MALEABLE IRON	SEE NOTE A
P	02JAN2003	VNI/DLH	PRN: P2002-0104		LEVER		MALEABLE IRON	SEE NOTE A
Q	12APR2005	BRP/RLR	PRN: P2005-0594		PAWL		MALEABLE IRON	SEE NOTE A
R	04JAN2011	ACH	PRN: P2010-1212		LINKS		1065 STEEL	SEE NOTE A
S	19APR2016	CMS/JCS	PRN: P2016-0858		SPRING		302 STAINLESS STEEL	PASSIVATED
					LINK PIN		1215 STEEL	SEE NOTE B
					OTHER PINS		300 SERIES STAINLESS STEEL	PASSIVATED
					KEEPER		MALEABLE IRON	SEE NOTE A
					SHIM		1010 STEEL	SEE NOTE A

ALLEGIS		1-866-378-7550	
MATERIAL:		DRAWING NO. :	
		A2-10-501-21	
FINISH:			
Zinc Immersion Coating			
REV.:		DATE:	
1:1		5/29/2019	