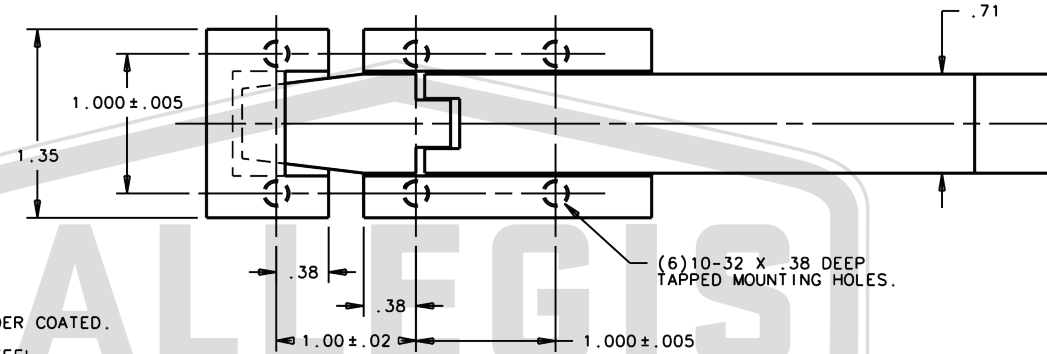


APPROVAL - CUSTOMER NAME & SIGNATURE

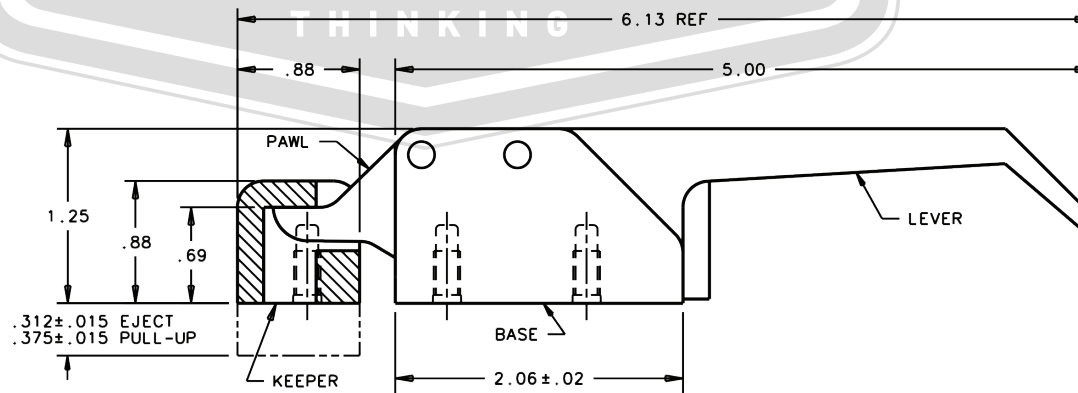
DATE

REV.	DATE	DRAWN	REVISION	ITEM	PART NUMBER	LEVER, PAWL, BASE, KEEPER MATERIAL	FINISH	COMPONENT MATERIAL & FINISH
A	12JAN93	KPL	PRN: S-1-03	ASSEMBLY	A7-10-301-20	DIE CAST ZINC	SEE NOTE A	SEE NOTE C
B	09OCT96	SWD	PRN: S-93-23	ASSEMBLY	A7-10-301-30	DIE CAST ZINC	BRIGHT CHROME PLATED	SEE NOTE C
C	26NOV2001	RJB/JSS	PRN: P2001-0631	ASSEMBLY	A7-10-301-75	DIE CAST ZINC	SEE NOTE B	SEE NOTE C



NOTES:

- A. BLACK POWDER COATED.
- B. SATIN SILVER POLYESTER POWDER COATED.
- C. VISIBLE PINS - STAINLESS STEEL, PASSIVATED; INTERNAL PINS - STAINLESS STEEL, NATURAL; LINK - DIE CAST ZINC, CHEMICAL PROTECTIVE FILM; SPRING - MUSIC WIRE, PHOSPHATE DIP PLUS BLACK ORGANIC COATING.



ALLEGIS

1-866-378-7550

MATERIAL:

Zinc Alloy

DRAWING NO.:

A7-10-301-30

FINISH:

Chrome Plated

REV.:

1:1

DATE:

5/29/2019