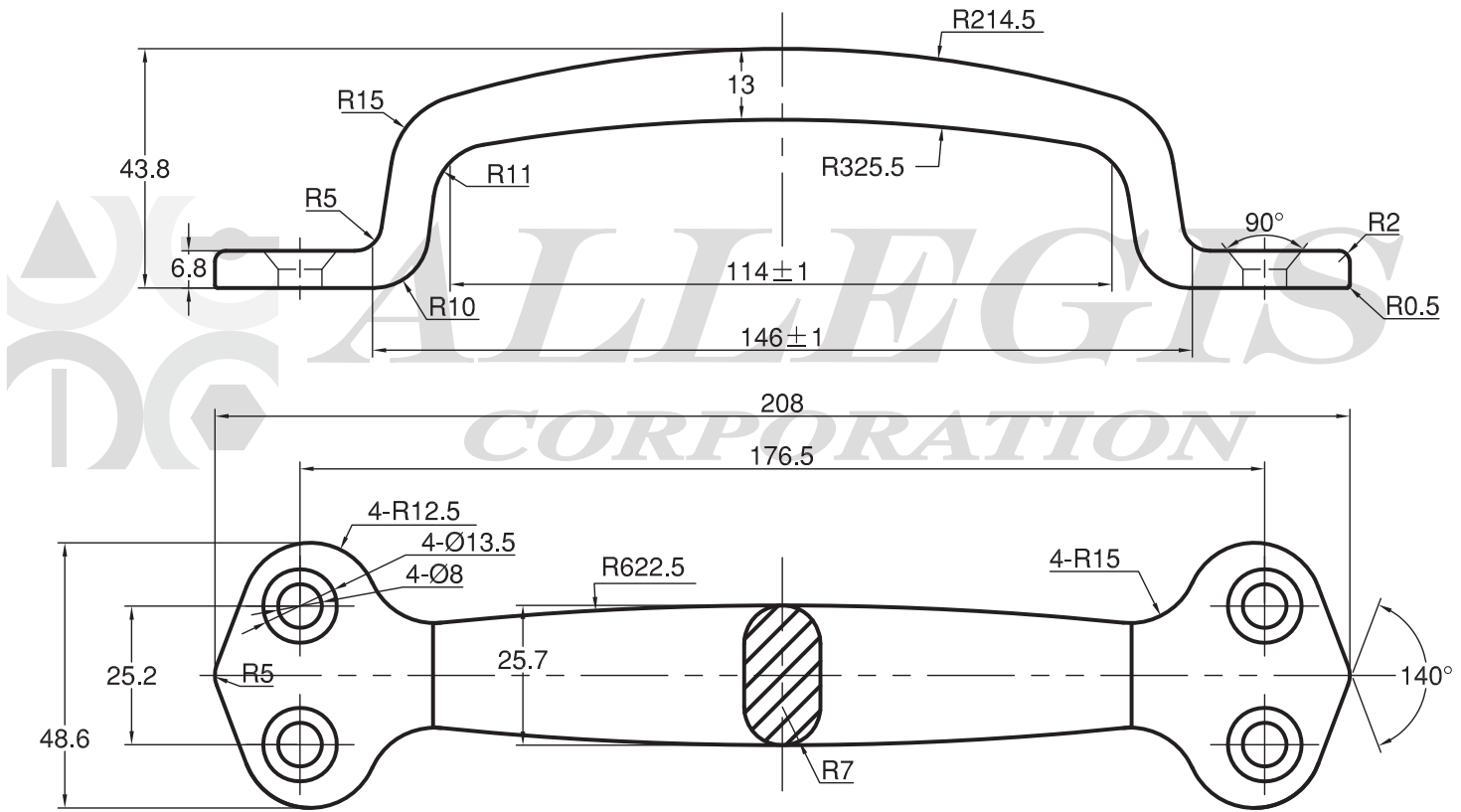


APPROVAL - CUSTOMER NAME & SIGNATURE	DATE



		TOLERANCES FOR UNSPECIFIED DIMENSIONS					
MATERIAL:	DRAWING NO. :	SIZE	A	B	SIZE	A	B
Zinc Alloy	AC 3200 CH	5 under	±0.15	±0.20	250=>500	±0.60	±1.00
FINISH:	Chrome Plated	5=>10	±0.20	±0.30	500=>750	±0.80	±1.20
REV. :	DATE:	10=>25	±0.25	±0.40	750=>up	±1.20	±1.50
1 : 2	4-28-2010	25=>50	±0.30	±0.45	*A: CENTER TO CENTER	Unit mm	
		50=>100	±0.40	±0.60	*B: OTHERS DIMENSIONS		
		100=>250	±0.50	±0.80	*ANGLE ±1.0°		