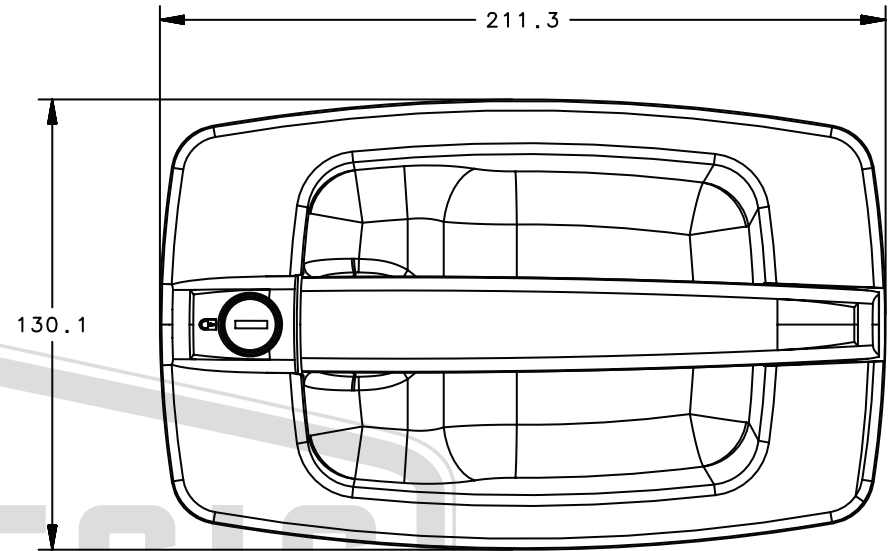
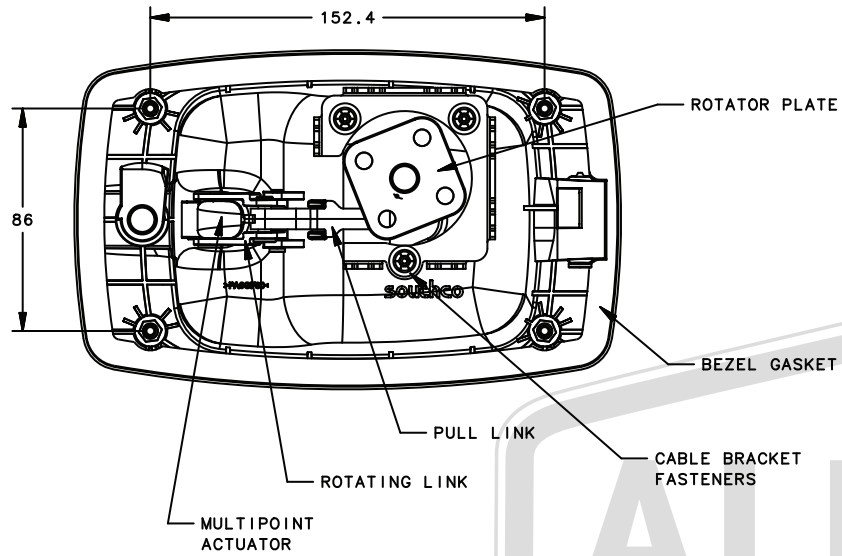
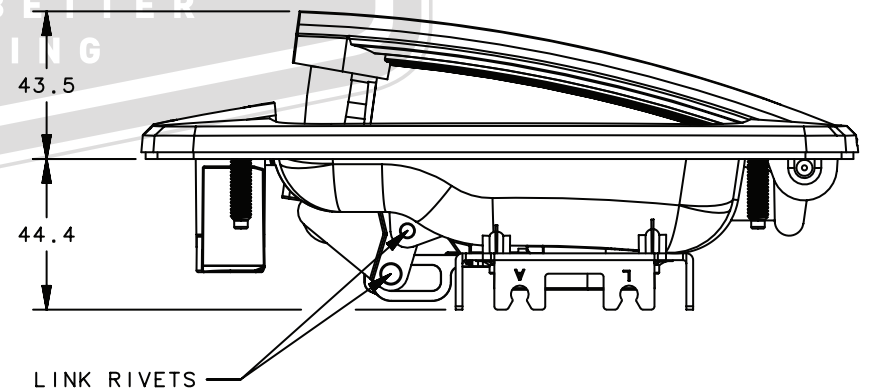
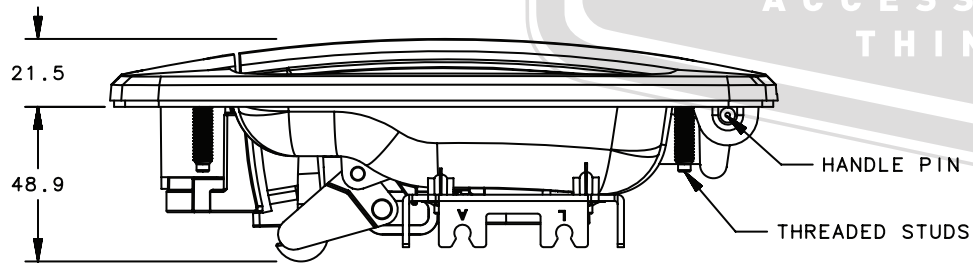


FULLY OPEN



FULLY CLOSED



www.allegiscorp.com

1-866-378-7550

MATERIAL / FINISH :

ABS Plastic, Glass Filled Nylon

REV. :

REV. 1

SCALE :

1:1

DATE :

9-13-24

DESCRIPTION :

Actuator Handle

DRAWING NO. :

AC-10-321-11