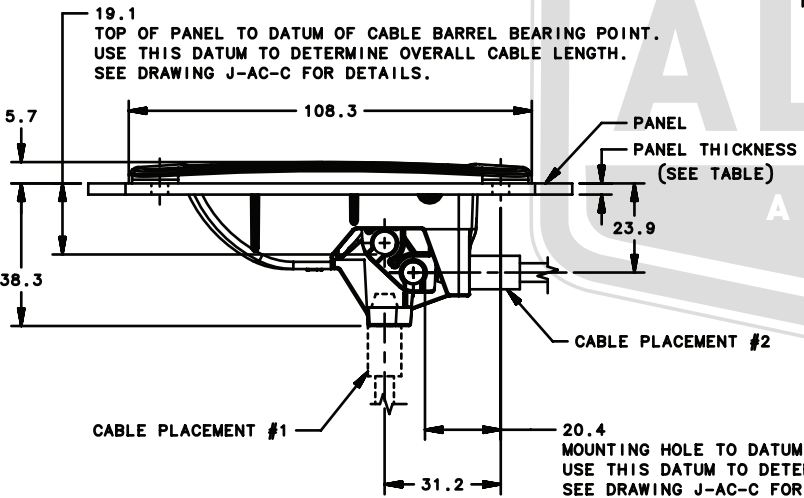
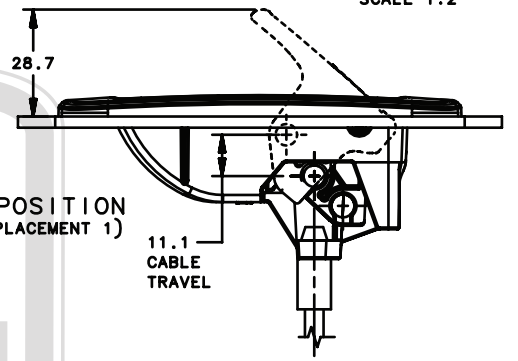


SCALE 1:2

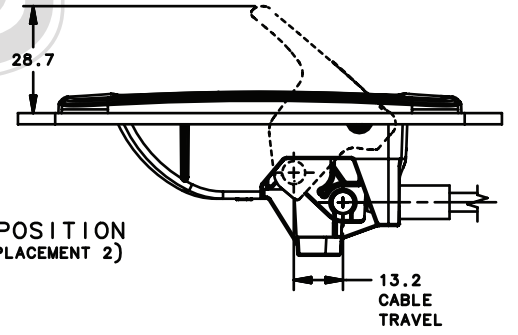
PANEL PREPARATION



OPEN POSITION (CABLE PLACEMENT 1)



OPEN POSITION (CABLE PLACEMENT 2)



CABLE ORIENTATION	PANEL THICKNESS	TA VALUES	
		CABLE TYPE 5	CABLE TYPE 6 OR 7
PLACEMENT #1	12.5 MAX.	TA-11	TA-16
PLACEMENT #2	16 MAX.	TA-4	TA-9

- FOR CABLE CONFIGURATION, SEE CABLE CONFIGURATOR ON SOUTHCO.COM.
- PACKAGING NOTES:
CELL PACKED, 25 ASSEMBLIES PER LAYER, 3 LAYER MAX PER BOX. WHEN ORDERING, SPECIFY QUANTITY IN MULTIPLES OF 25.
- INSTALLATION NOTES:
A. PLACE ACTUATOR INTO PANEL OPENING, ORIENTING PADDLE END TOWARDS THE CABLE ROUTING END.
B. USE M4 OR #8 SCREWS TO MOUNT ACTUATOR TO PANEL.
C. INSERT CABLE BARREL FITTING IN PADDLE ACTUATOR HOLE, THEN SNAP CONDUIT FITTING TO HOUSING TO SECURE CABLE.

www.allegiscorp.com 1-866-378-7550			MATERIAL / FINISH : ABS Plastic, Glass Filled Nylon	
REV. : REV. 1	SCALE : 1:1	DATE : 9-13-24	DESCRIPTION : Actuator	DRAWING NO. : AC-70-101-11