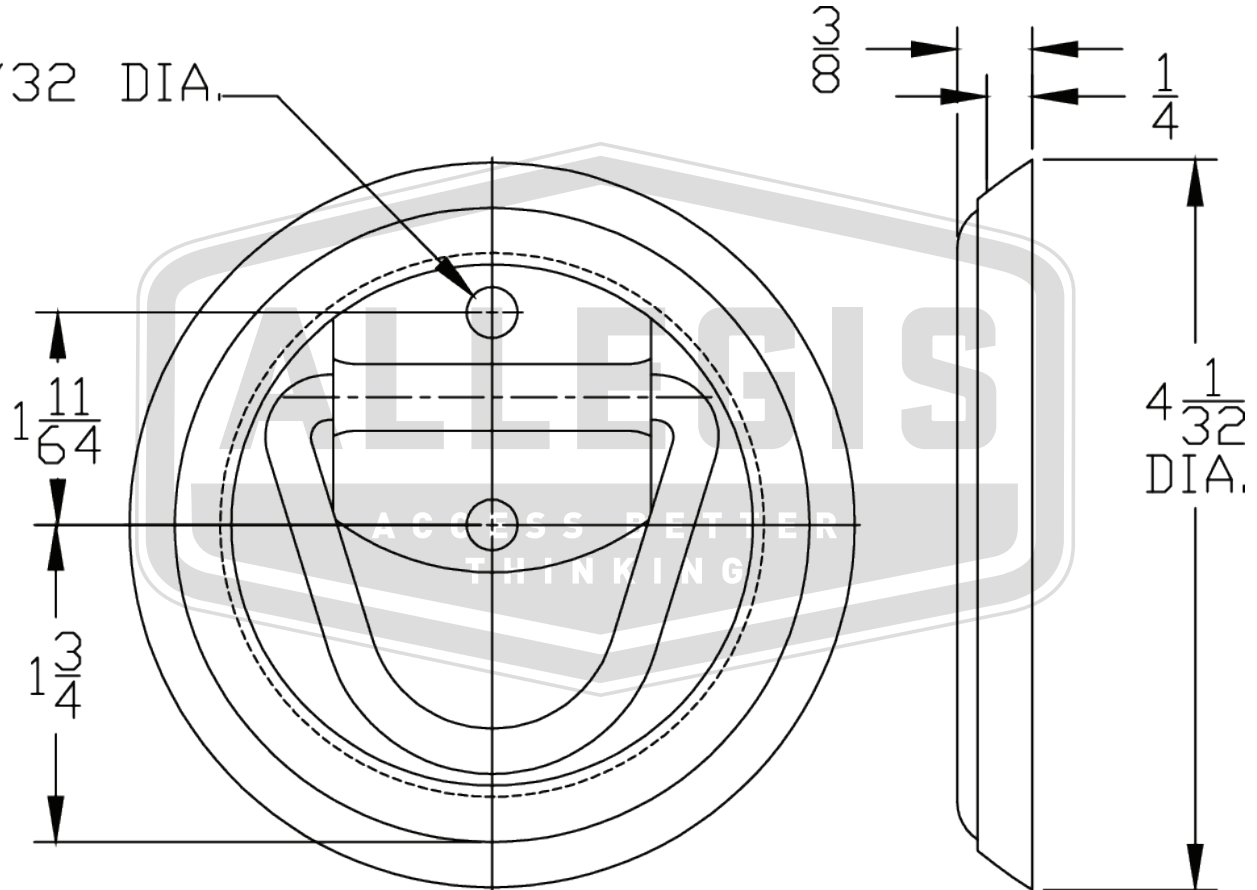


APPROVAL - CUSTOMER NAME & SIGNATURE

DATE

9/32 DIA.



ALLEGIS

1-866-378-7550

MATERIAL:

DRAWING NO.:

ALG 93F ZN

FINISH:

Zinc

REV.:

1:1

DATE:

9/10/2024