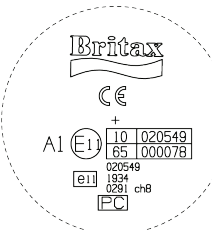
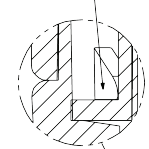


APPROVAL - CUSTOMER NAME & SIGNATURE

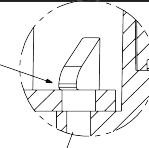
DATE



NOTE 5



DETAIL E
SCALE 5:1



DETAIL F
SCALE 5:1

LENS, (POLYCARBONATE)
AMBER

LENS LOCKING SCREW
BLACK COATED STEEL
NOTE 2

BASE, BLACK
TEXTURED

DRAIN HOLE
(INSIDE GAP)

PLUG-IN
ACCORDING TO
DIN 14620
NOTE 5

RED CABLE

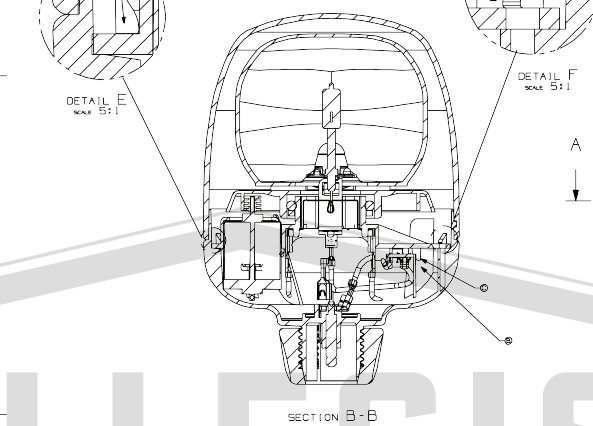
BLACK CABLE

SECTION C-C
CABLE CONNECTION TO THE BASE

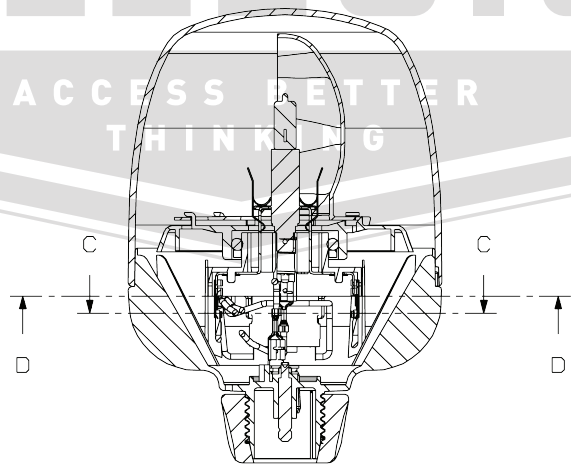
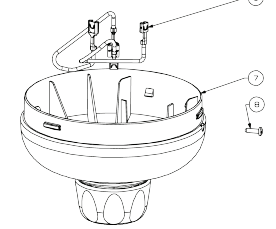
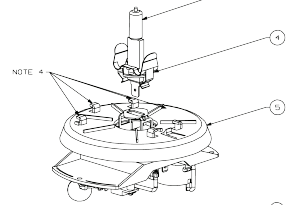
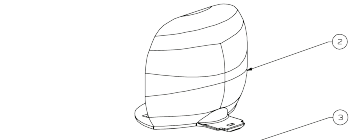
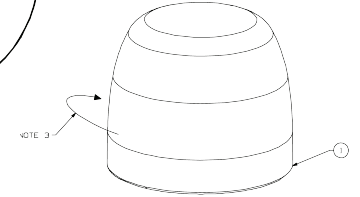
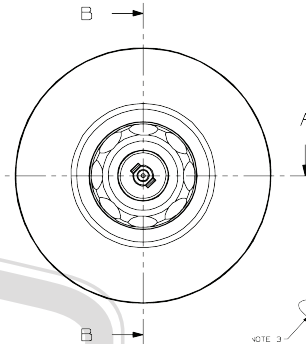
RED CABLED CONNECTOR

BLACK CABLED
CONNECTOR

SECTION D-D
CABLE CONNECTION TO THE BEARING UNIT



SECTION B-B



SECTION A-A

ALLEGIS

1-866-378-7550

MATERIAL:

Amber

DRAWING NO.:

B22.0012V

FINISH:

REV.:

1:1

DATE:

6/13/2019