

REV.	DATE	BY-CHKD	REVISIONS
A	26 MAY 94	LBZ	PRN: C3-66
B	05AUG96	GDM	PRN: C3-98
C	02MAR98	GAT	PRN: C3-127; REVISED LEG INSERTS
D	15MAY98	AJH CHW	PRN: C3-132

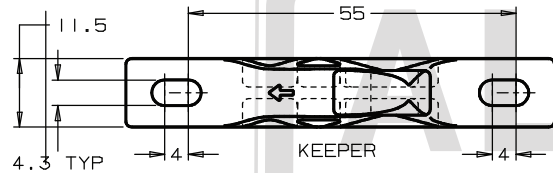
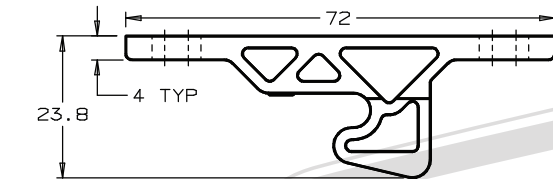
ASSEMBLY PART NUMBERS		
PULL-UP FORCE	BLACK	WHITE
13N	C3-303	C3-303-2
22N	C3-305	C3-305-2
44N	C3-310	C3-310-2

PACKAGING NOTE: CATCH AND KEEPER SHIPPED SEPARATELY, BULK. FOR CATCH AND KEEPER PACKAGED ONE PER BAG, ADD -P TO PART NUMBER. EXAMPLE: C3-303-2-P

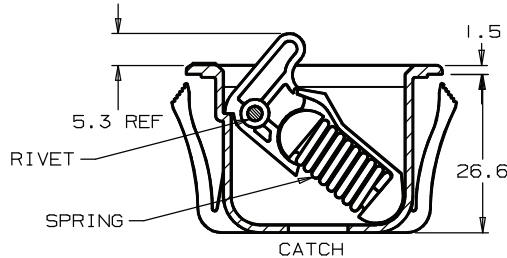
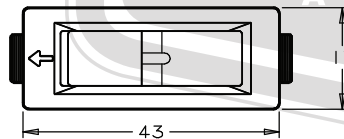
INSTALLATION INSTRUCTIONS: SNAP CATCH INTO FRAME. MOUNT KEEPER TO DOOR AND ADJUST FOR SMOOTH LATCHING.

MATERIAL AND FINISH:

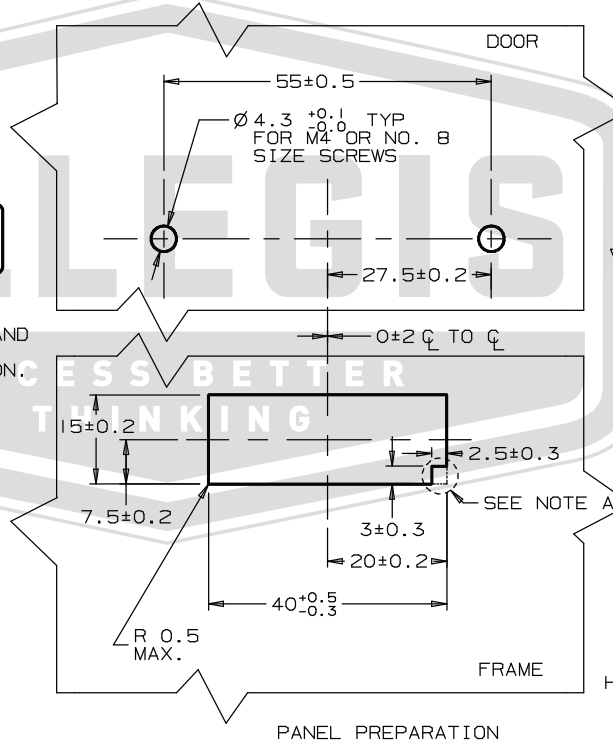
RIVET: 5056 ALUMINUM, NATURAL.
 HOUSING: ABS POLYCARBONATE BLEND, BLACK OR WHITE.
 SPRING: 302 STAINLESS STEEL (22N ASSY'S PASSIVATED, 13N AND 44N ASSY'S PASSIVATED BLACK OXIDE)
 KEEPER: MINERAL FILLED NYLON, BLACK OR WHITE
 OTHER COMPONENTS: GLASS FIBER REINFORCED NYLON.



BE SURE THE ARROW ON THE KEEPER AND THE HOUSING ARE POINTING IN THE SAME DIRECTION DURING INSTALLATION.

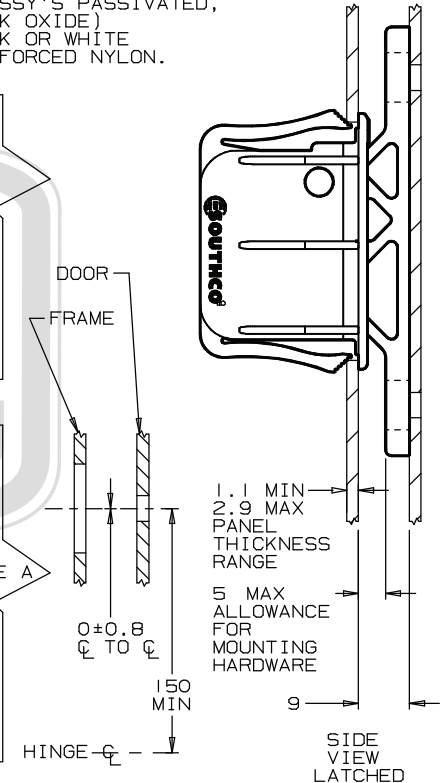


FORMAT 3/88



PANEL PREPARATION

NOTE A: THIS FEATURE IS TO ACCOMMODATE OPTIONAL ONE WAY INSTALLATION.



PANEL PREPARATION TOP VIEW

ALLEGIS

1-866-378-7550

MATERIAL:

Plastic

DRAWING NO.:

C3-303

FINISH:

REV.:

1:1

DATE:

5/29/2019