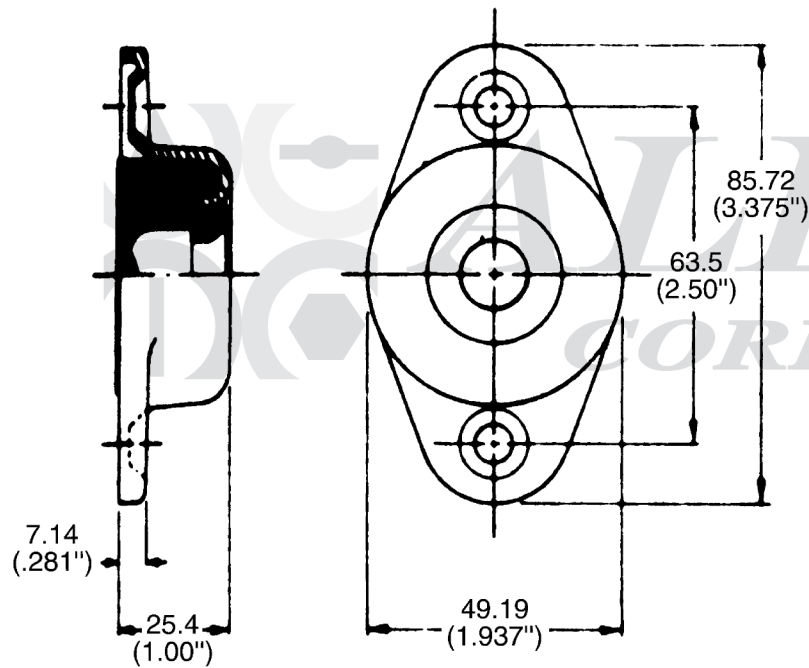


Part Numbers	Description	A Overall Length	B Plunger Length
DH 158 ZN	Plunger	41.27 (1.625")	31.75 (1.25')
DH 218 ZN	Plunger	53.97 (2.125")	44.45 (1.75")
DH 258 ZN	Plunger	66.67 (2.625")	57.15 (2.25")
DH 318 ZN	Plunger	79.37 (3.125")	69.85 (2.75")
DH 100 ZN	Socket with Rubber Insert	---	---

Mounting Holes for 1/4" F H Screws



www.ALLEGISCORP.com 1-866-378-7550		MATERIAL: Zinc	
REV.: 1 : 1	DATE: 1-10-2013	DESCRIPTION: Socket w/ rubber insert	PART NUMBER: DH 100ZN