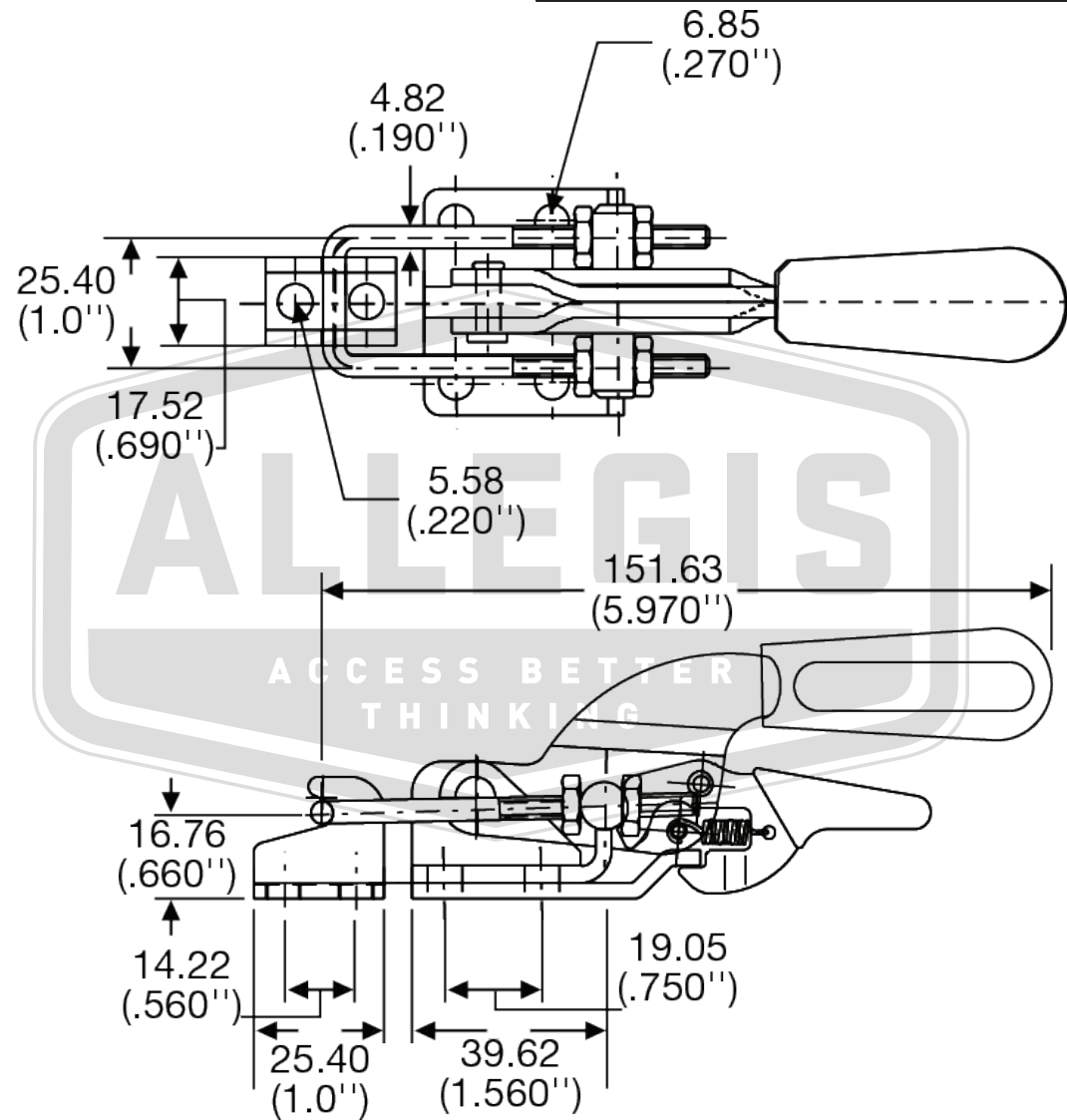


APPROVAL - CUSTOMER NAME & SIGNATURE

DATE



ALLEGIS

1-866-378-7550

MATERIAL:

Stainless Steel

DRAWING NO.:

DS 331R SS

FINISH:

REV.:

1:1

DATE:

6/17/2019