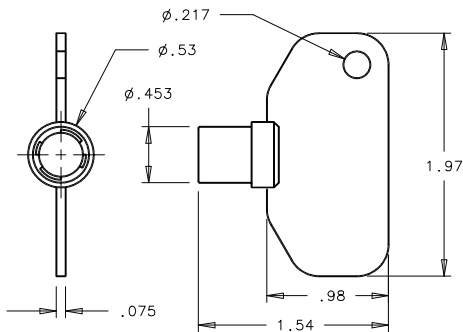
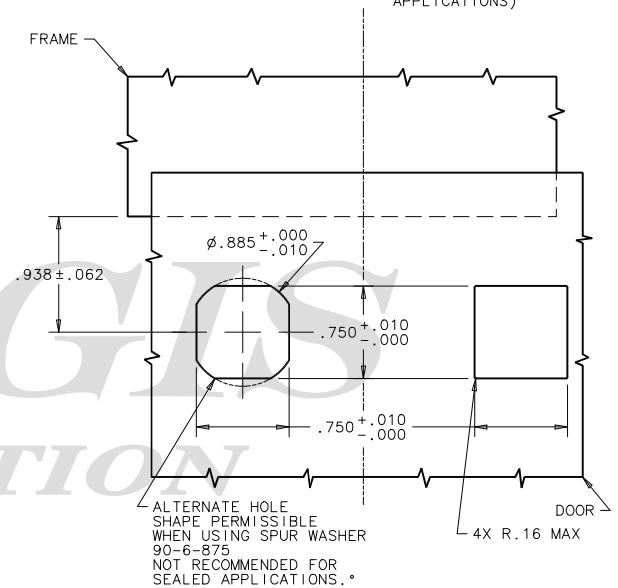


DOOR PREPARATION

METHOD A

METHOD B
(NOT RECOMMENDED FOR GASKETED APPLICATIONS)



Part Number	Grip Range	Extended Grip Range
E3-15-15	0.45 - 1.07	2.61 - 3.00
E3-15-25	1.00 - 1.62	2.07 - 2.69
E3-15-35	1.53 - 2.15	NONE

www.ALLEGISCORP.com
1-866-378-7550

MATERIAL / FINISH :
Zinc Die-Cast w/ Black Powder Coat

REV. :
1 : 1

DATE :
4-10-2018

DESCRIPTION :
Vice Action Latch

DRAWING NO. :
See Chart