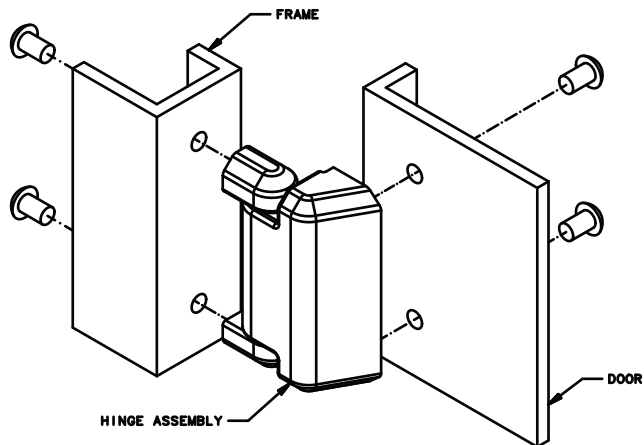


OPERATION TORQUE TOLERANCE ±20%



[www.allegiscorp.com](http://www.allegiscorp.com)

1-866-378-7550

MATERIAL / FINISH :

Zinc Alloy

REV. :

Rev. 1

SCALE :

DATE :

9-16-24

DESCRIPTION :

Torque Hinge

DRAWING NO. :

E6-60-420S-50