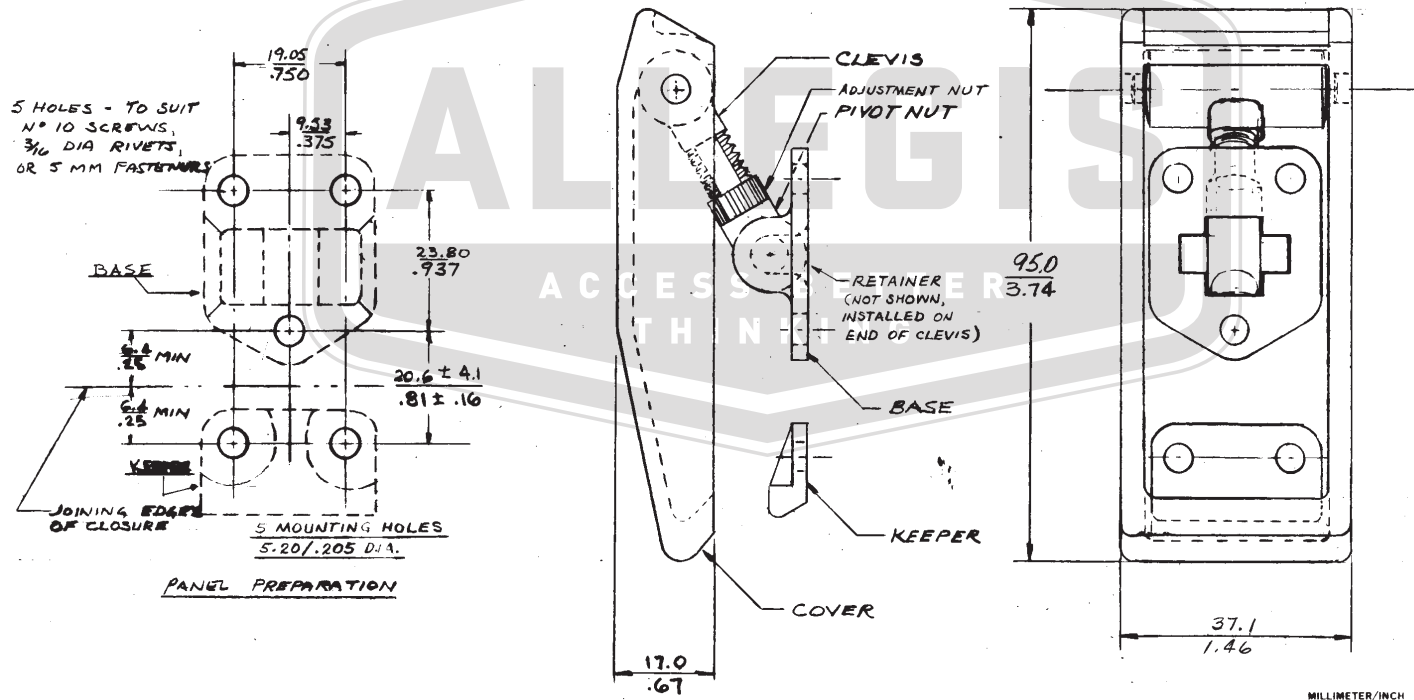


APPROVAL - CUSTOMER NAME & SIGNATURE

DATE

REV. LET.	DATE	BY/CHKD	REVISIONS	ITEM	PART N°	MATERIAL	FINISH
A	7-14-87	JRH	PRN: EB-03	LATCH ASSY	EB-10-502-20		
B	5-23-91	JRP	PRN: EB-22	ADJUSTMENT NUT	EB-0-22258-24	STAINLESS STEEL	NATURAL
C	27 SEP 95	POB	PRN: EB-29	BASE		GLASS REINFORCED NYLON	BLACK
				CLEVIS		GLASS REINFORCED NYLON	
				PIVOT NUT		GLASS REINFORCED NYLON	
				COVER		ACETAL	
				RETAINER		ACETAL	
				KEEPER		GLASS REINFORCED NYLON	BLACK

NOTE: PACKAGED ONE ASSEMBLY PER BAG.



MILLIMETER/INCH
MILLIMETER
INCH

ALLEGIS		1-866-378-7550
MATERIAL:	ABS Plastic	DRAWING NO. : E8-10-502-20
FINISH:	Natural	
REV.:	1:1	DATE: 5/29/2019