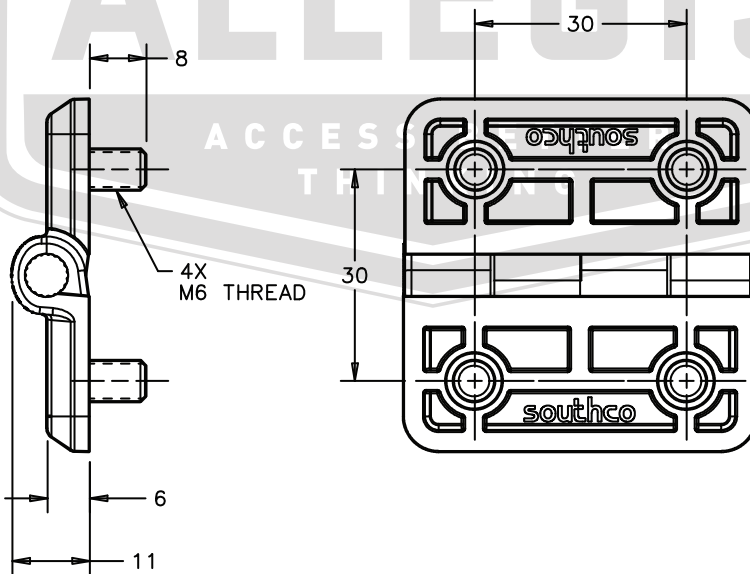
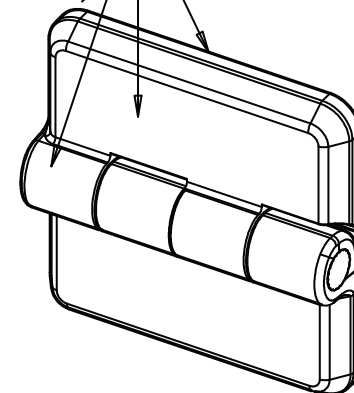


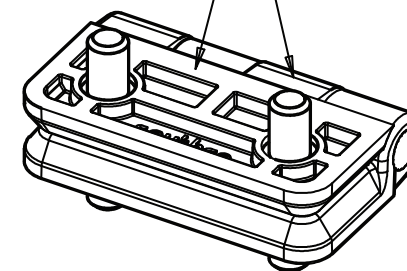
PANEL PREPARATION



CLASS "B" AREAS
(TOP AND SIDE
SURFACES NOT
INCLUDING
PARTING LINES)



CLASS "D" AREAS
(BOTTOM SURFACES)



www.allegiscorp.com

1-866-378-7550

MATERIAL / FINISH :

Black powder coated Zinc Die-cast

REV. :

Rev. 1

SCALE :

1:1

DATE :

9-16-24

DESCRIPTION :

Surface Mount Hinge

DRAWING NO. :

EH-6A-5G5-50