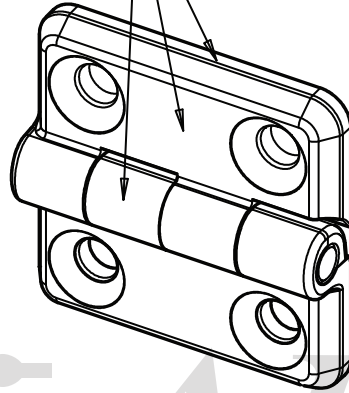
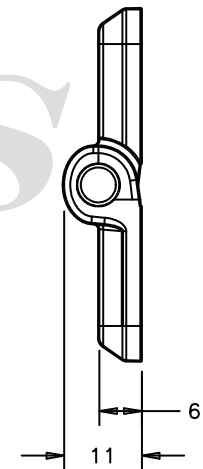
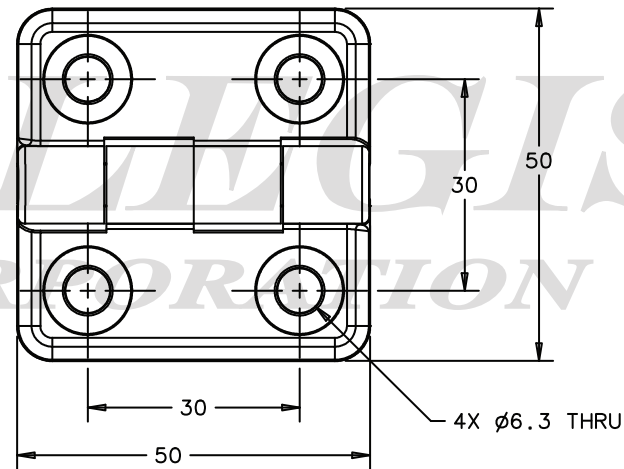
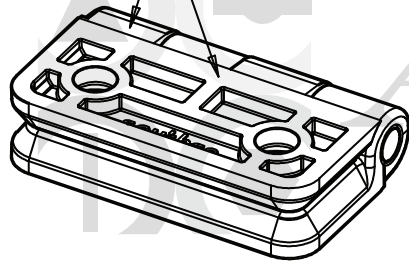


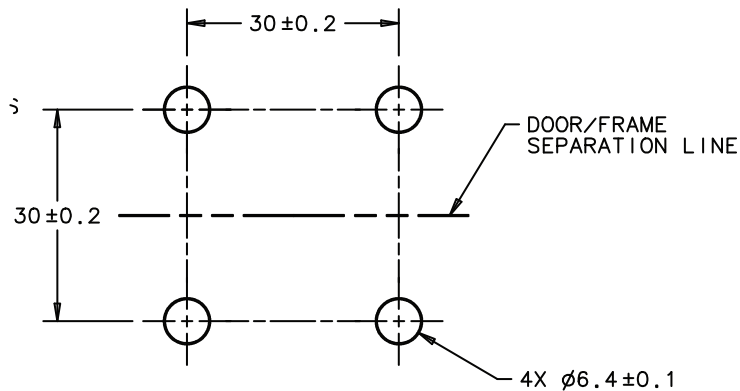
CLASS "B" AREAS  
(TOP AND SIDE  
SURFACES NOT  
INCLUDING  
PARTING LINES)



CLASS "D" AREAS  
(BOTTOM SURFACES)



**PANEL PREPARATION**



**www.ALLEGISCORP.com**  
**1-866-378-7550**

MATERIAL / FINISH :  
Black powder coated Zinc Alloy

REV. :

1 : 1

DATE :

1-11-2016

DESCRIPTION :

Surface Mount Hinge

DRAWING NO. :

EH-6A-5V5-50