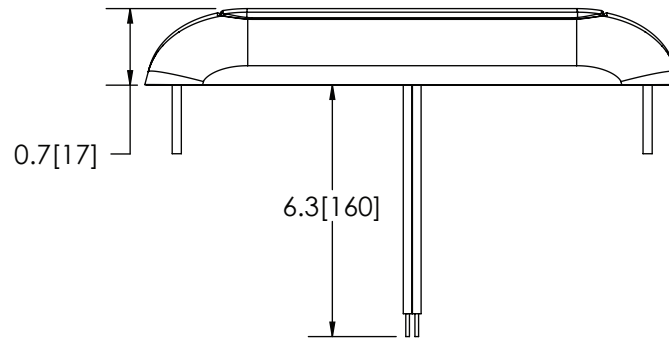
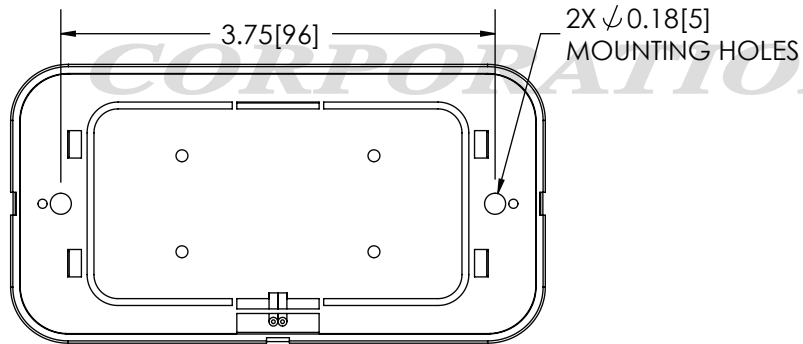


TOP VIEW



FRONT VIEW



BOTTOM VIEW



COLOR CHART	
P/N	BEZEL COLOR
EW0230	WHITE
EW0231	CHROME

www.ALLEGISCORP.com 1-866-378-7550		MATERIAL / FINISH :	
REV. :	DATE :	DESCRIPTION :	DRAWING NO. :
1 : 1	11-1-2016	Light	EW0230 / EW0231