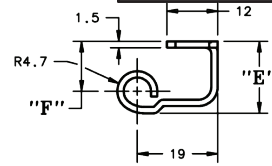
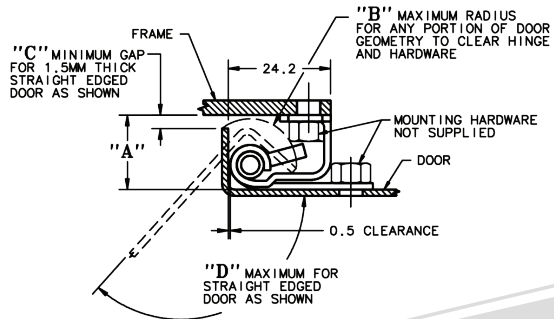


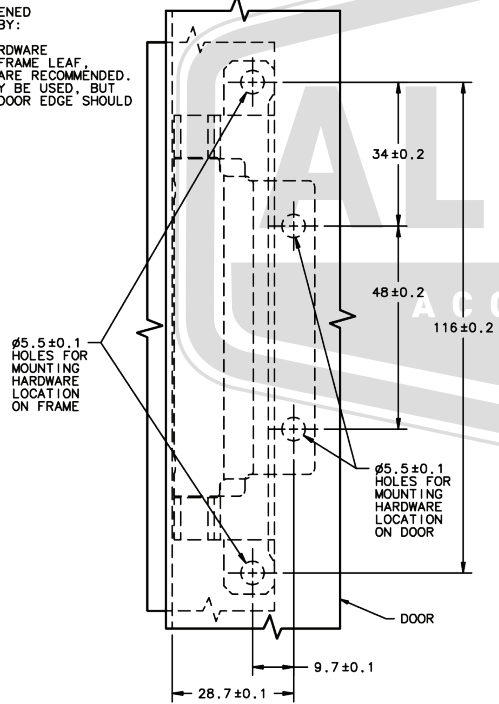
APPROVAL - CUSTOMER NAME & SIGNATURE

DATE

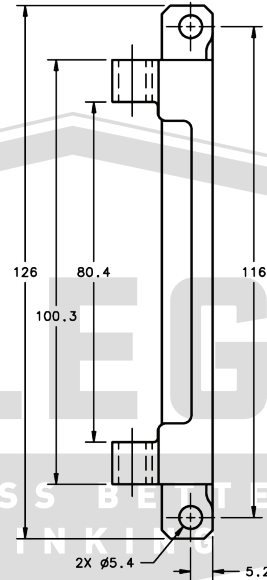


HINGES MAY BE FASTENED TO DOOR AND FRAME BY:

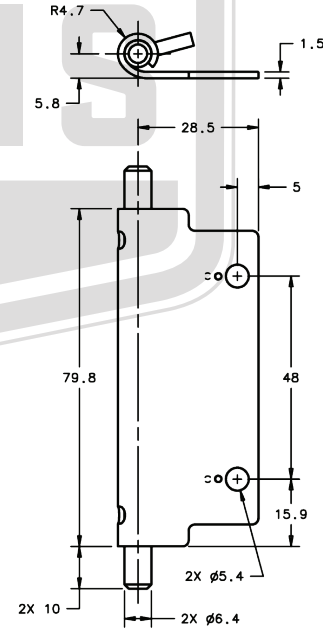
- A. M5 OR No. 10 HARDWARE - FOR MOUNTING FRAME LEAF. MACHINE SCREWS ARE RECOMMENDED. HEX JAM NUTS MAY BE USED, BUT CLEARANCE WITH DOOR EDGE SHOULD BE VERIFIED.
- B. WELDING



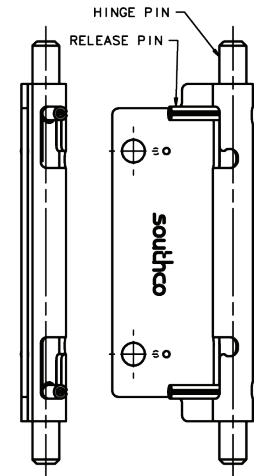
PANEL PREPARATION



FRAME LEAF



DOOR LEAF



ALLEGIS

1-866-378-7550

MATERIAL:

Stainless Steel

DRAWING NO.:

F6-3-1

FINISH:

REV.:

1:1

DATE:

6/13/2019