

APPROVAL - CUSTOMER NAME & SIGNATURE

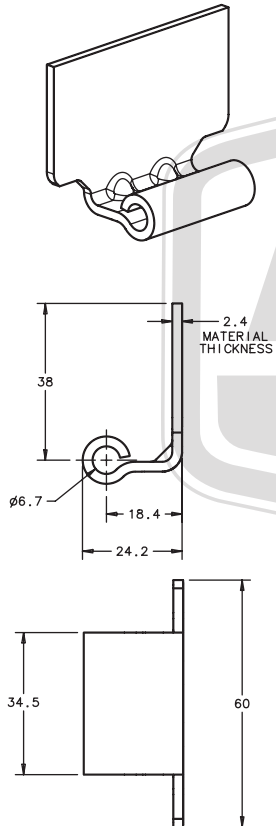
DATE

NOTES:

- A. REFER TO DRAWING No. J-F6-2-2 FOR INSTALLATION INSTRUCTIONS.
- B. FLAT FRAME LEAF CAN BE MOUNTED (AS SHOWN ON DRAWING J-F6-2-2) CUSTOM OFFSET DEPTHS AND MOUNTING HOLES CAN BE ADDED. CALL SOUTHCO FOR DETAILS.

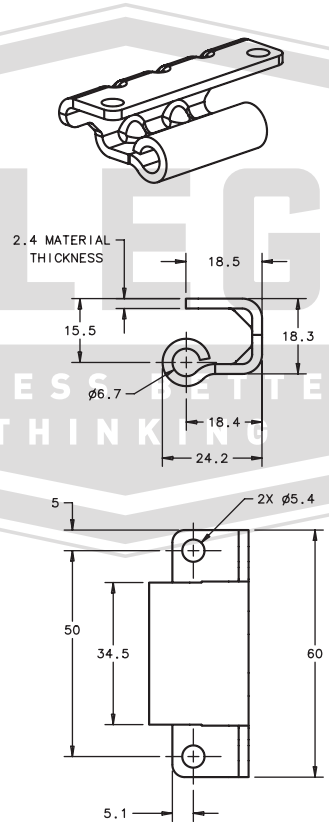
REV	DATE	DRAWN/CHKD	DESCRIPTION	FRAME LEAF TYPE - PART NUMBERS				MATERIAL & FINISH
				FLAT WELD MOUNT	HOLE MOUNT	M5 STUDS	10-32 STUDS	
A	14MAR2007	JHV/AJH	PRN: P2007-0356	F6-904-5	F6-905-5	F6-908-5	F6-907-5	STAINLESS STEEL, NATURAL STEEL, ZINC PLATE, CHROMATE DIP
B	24MAY2007	JHV/AJH	PRN: P2007-0696					
C	04MAR2010	MJS/MJS	PRN: P2010-0218					

FLAT - WELD MOUNT

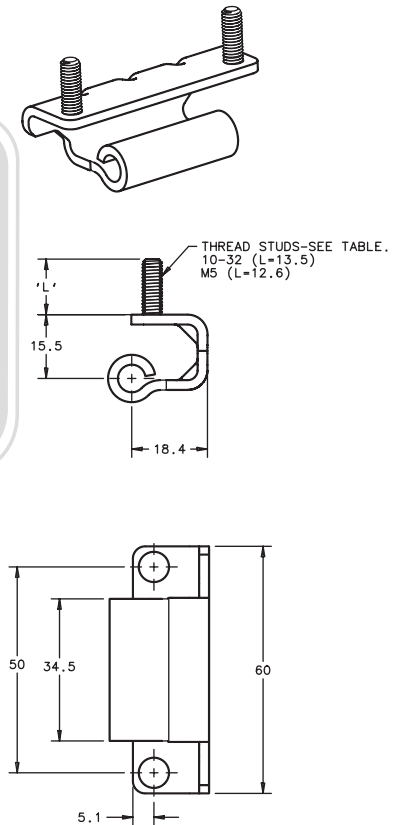


FORMED - HOLE MOUNT

INSTALL WITH M5 OR 10-32 HARDWARE, NOT SUPPLIED.



FORMED - STUD MOUNT



<b>ALLEGIS</b>		1-866-378-7550
MATERIAL:	Stainless Steel	DRAWING NO. : F6-905-5
FINISH:		
REV.:	1:1	DATE: 5/29/2019