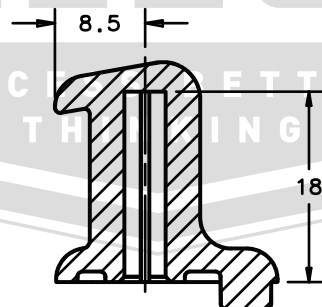
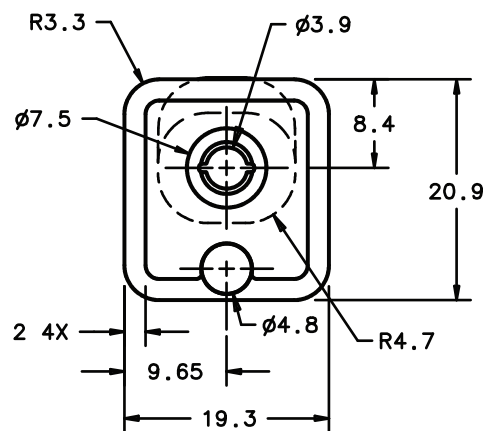
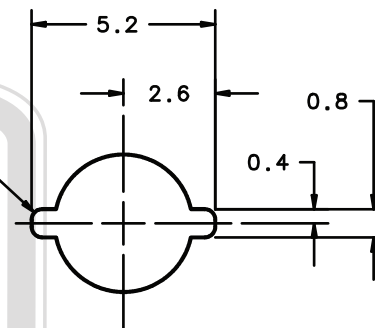


NO TEXTURE UNDER  
LIP, BOSS, OR  
CORED AREA.

R0.3



[www.allegiscorp.com](http://www.allegiscorp.com)

1-866-378-7550

MATERIAL / FINISH :

Black Nylon

REV. :

Rev. 1

SCALE :

1.5 : 1

DATE :

9-23-2024

DESCRIPTION :

Keeper

DRAWING NO. :

F7-547