

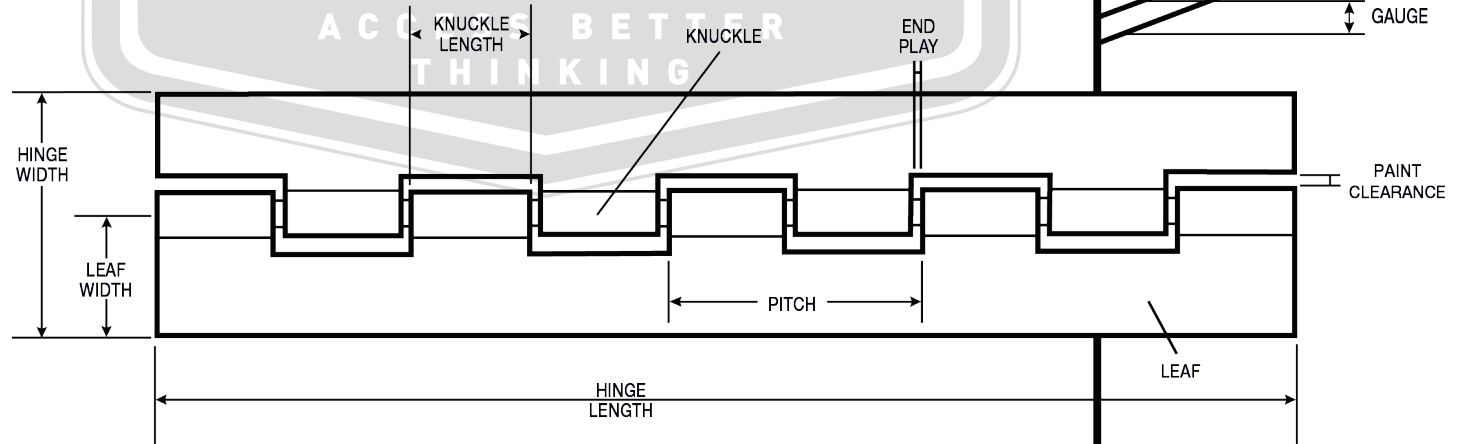
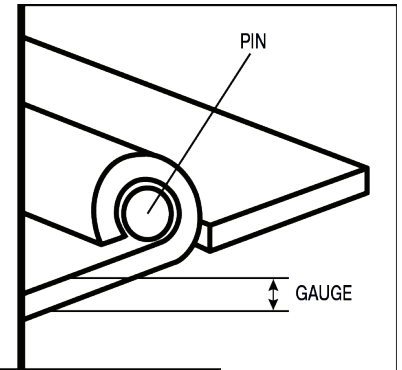
Medium-Light Weight (.060) Continuous Hinge

APPROVAL - CUSTOMER NAME & SIGNATURE

DATE

Part Number	Gauge	Open Width In.	Pin Diameter In.	Length In.	Knuckle Length In.
H203 ST	.060	1-1/4	.125	72	1/2
H208 ST	.060	1-1/4	.125	96	1/2
H200 ST	.060	1-1/2	.125	72	1/2
H207 ST	.060	1-1/2	.125	96	1/2
H214 ST	.060	1-1/2	.187	72	1/2
H201 ST	.060	2	.125	72	1/2
H204 ST	.060	2	.125	96	1/2
H206 ST	.060	2	.187	72	1/2
H210 ST	.060	2	.187	96	1/2
H211 ST	.060	2-1/2	.125	72	1/2
H216 ST	.060	2-1/2	.187	72	1/2
H205 ST	.060	3	.125	72	1/2
H215 ST	.060	3	.125	96	1/2
H218 ST	.060	3	.187	72	1/2
H219 ST	.060	3	.187	96	1/2
H212 ST	.060	3-1/2	.125	72	1/2
H222 ST	.060	4	.125	72	1/2
H223 ST	.060	4	.187	72	1/2

Steel



ALLEGIS	1-866-378-7550
MATERIAL: Steel	DRAWING NO. : H2XXST
FINISH:	
REV. : 1:1	DATE: 6/13/2019