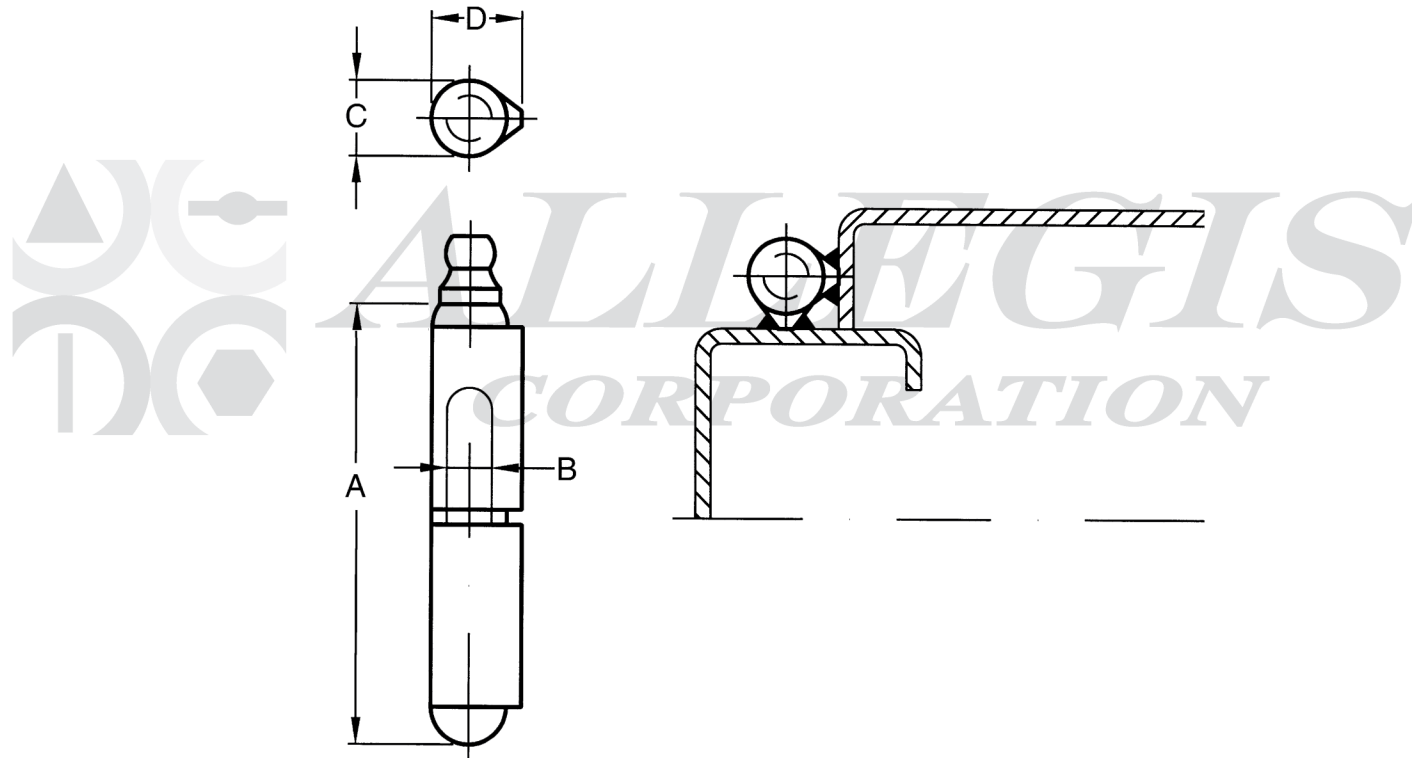


Brass Pin With Grease Fitting	A		B		C		D		E	
	mm	in.	mm	in.	mm	in.	mm	in.	mm	in.
H2360	60	2.362	6	.236	10	.394	11.9	.467	2	.078
H2370	70	2.755	6	.236	11.5	.452	13.2	.520	2	.078
H2380	80	3.149	8	.314	13	.511	15.5	.610	2	.078
H2310	100	3.937	10	.394	16	.629	19.6	.772	2.5	.098
H2312	120	4.724	10	.394	16	.629	19.6	.772	2.5	.098
H2315	150	5.905	13	.511	20	.787	25.4	1.00	3	.118
H2318	180	7.086	13	.511	20	.787	25.4	1.00	3	.118
H2320	200	7.874	16	.629	23	.905	28.5	1.122	4	.157



www.ALLEGISCORP.com 1-866-378-7550		MATERIAL: Steel Hinge w/ Brass Pin & Washer	
REV.: 1:1	DATE: 1-10-2013	DESCRIPTION: Weld-on Hinge	PART NUMBER: H2310 - H2380