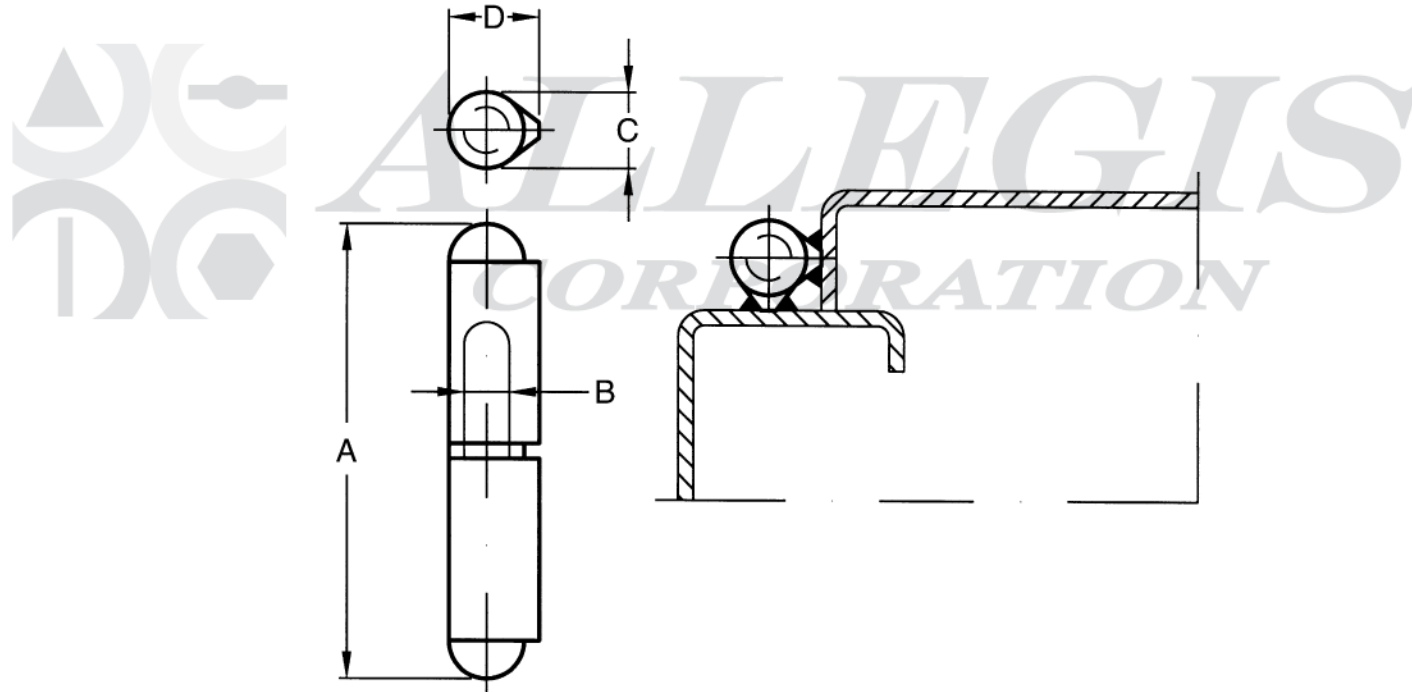


Stainless Steel with Stainless Steel Pin	mm A in.		mm B in.		mm C in.		mm D in.		mm E in.	
	H2440	40	1.574	5	.196	8	.314	10	.394	1.5
H2450	50	1.968	5	.196	8	.314	10	.394	1.5	.059
H2460	60	2.362	6	.236	10	.394	11.9	.467	2	.078
H2480	80	3.149	8	.314	13	.511	15.5	.610	2	.078
H2410	100	3.937	10	.394	16	.629	19.6	.772	2.5	.098
H2412	120	4.724	10	.394	16	.629	19.6	.772	2.5	.098
H2415	150	5.905	13	.511	20	.787	25.4	1.00	3	.118
H2418	180	7.086	13	.511	20	.787	25.4	1.00	3	.118
H2420	200	7.874	16	.629	23	.905	28.5	1.122	4	.157



www.ALLEGISCORP.com 1-866-378-7550		MATERIAL: Stainless Steel Hinge w/ SS washer & pin	
REV.: 1 : 1	DATE: 1-10-2013	DESCRIPTION: Weld-on Hinge	PART NUMBER: H2410 - H2480