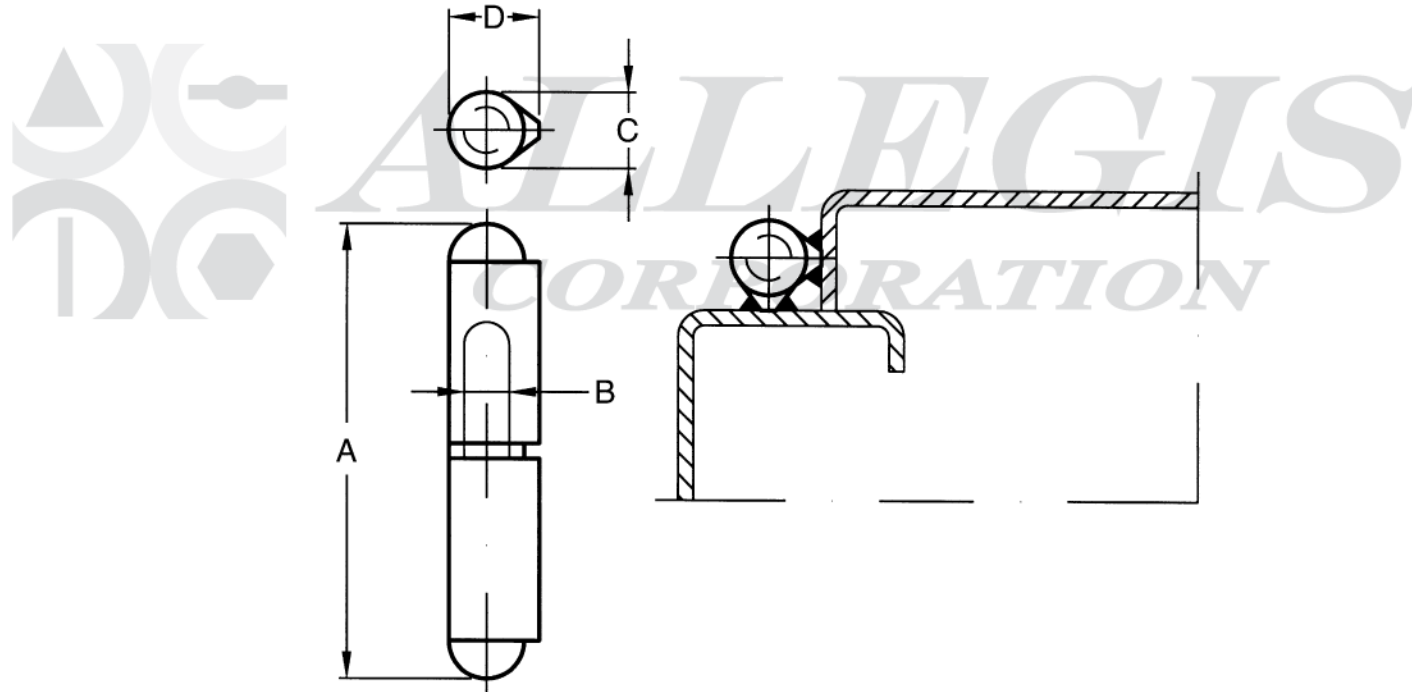


| Aluminum with<br>Stainless Steel Pin | mm A in.     |       | mm B in. |      | mm C in. |      | mm D in. |       | mm E in. |      |
|--------------------------------------|--------------|-------|----------|------|----------|------|----------|-------|----------|------|
|                                      | <b>H2540</b> | 40    | 1.574    | 5    | .196     | 8    | .314     | 10    | .394     | 1.5  |
| <b>H2550</b>                         | 50           | 1.968 | 5        | .196 | 8        | .314 | 10       | .394  | 1.5      | .059 |
| <b>H2560</b>                         | 60           | 2.362 | 6        | .236 | 10       | .394 | 11.9     | .467  | 2        | .078 |
| <b>H2580</b>                         | 80           | 3.149 | 8        | .314 | 13       | .511 | 15.5     | .610  | 2        | .078 |
| <b>H2510</b>                         | 100          | 3.937 | 10       | .394 | 16       | .629 | 19.6     | .772  | 2.5      | .098 |
| <b>H2512</b>                         | 120          | 4.724 | 10       | .394 | 16       | .629 | 19.6     | .772  | 2.5      | .098 |
| <b>H2515</b>                         | 150          | 5.905 | 13       | .511 | 20       | .787 | 25.4     | 1.00  | 3        | .118 |
| <b>H2518</b>                         | 180          | 7.086 | 13       | .511 | 20       | .787 | 25.4     | 1.00  | 3        | .118 |
| <b>H2520</b>                         | 200          | 7.874 | 16       | .629 | 23       | .905 | 28.5     | 1.122 | 4        | .157 |



|   |                    |   |                               |
|---|--------------------|---|-------------------------------|
| <b>www.ALLEGISCORP.com</b><br><b>1-866-378-7550</b> |                    | MATERIAL: Aluminum Hinge<br>w/ stainless steel washer & pin |                               |
| REV.:<br>1 : 1                                      | DATE:<br>1-10-2013 | DESCRIPTION:<br>Weld-on Hinge                               | PART NUMBER:<br>H2510 - H2580 |