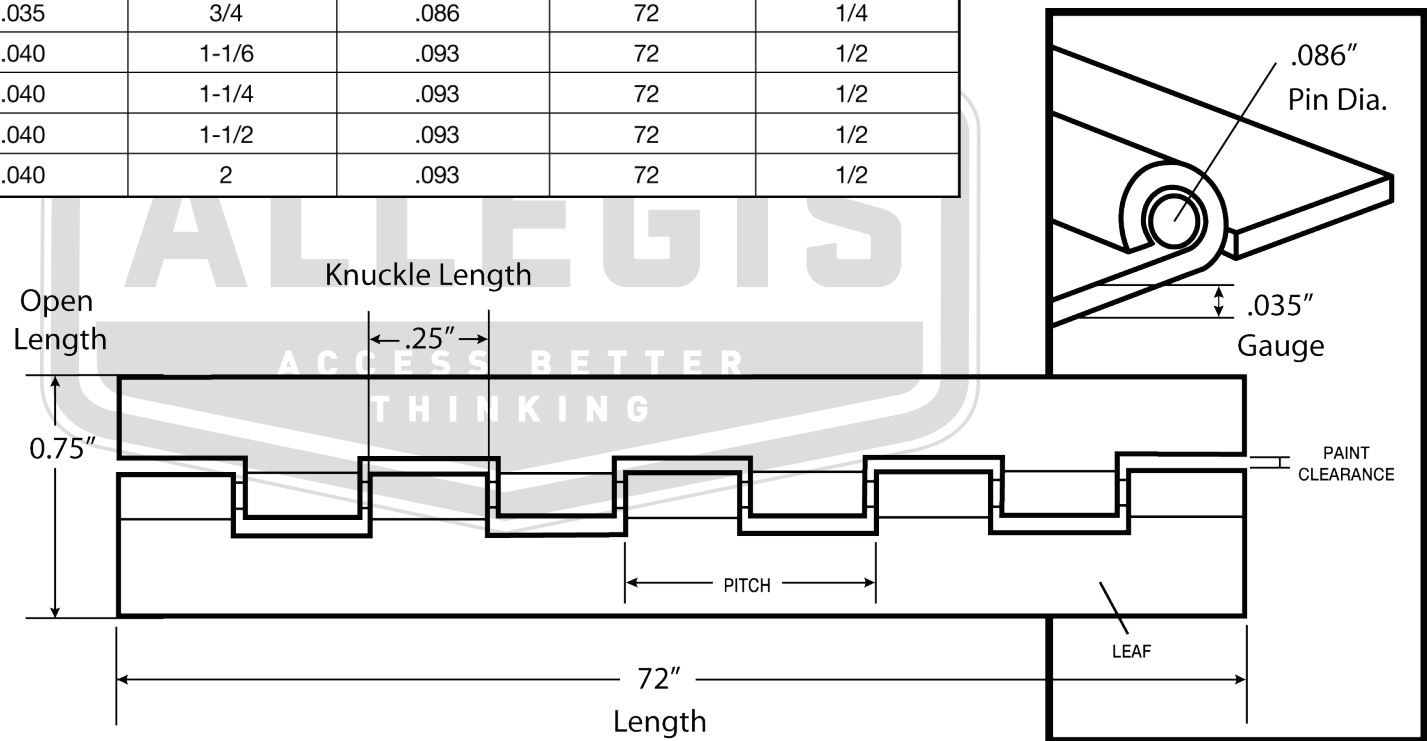


APPROVAL - CUSTOMER NAME & SIGNATURE

DATE

Light Weight Continuous Hinge (.035 - .040)

	Part Number	Gauge	Open Width In.	Pin Diameter In.	Length In.	Knuckle Length In.
Stainless Steel	H801 SS	.035	3/4	.086	72	1/4
	H807 SS	.040	1-1/6	.093	72	1/2
	H808 SS	.040	1-1/4	.093	72	1/2
	H809 SS	.040	1-1/2	.093	72	1/2
	H810 SS	.040	2	.093	72	1/2



ALLEGIS		1-866-378-7550
MATERIAL:	Stainless Steel	DRAWING NO. : H8XXSS
FINISH:		
REV.:	1:1	DATE: 6/17/2019