

APPROVAL - CUSTOMER NAME & SIGNATURE

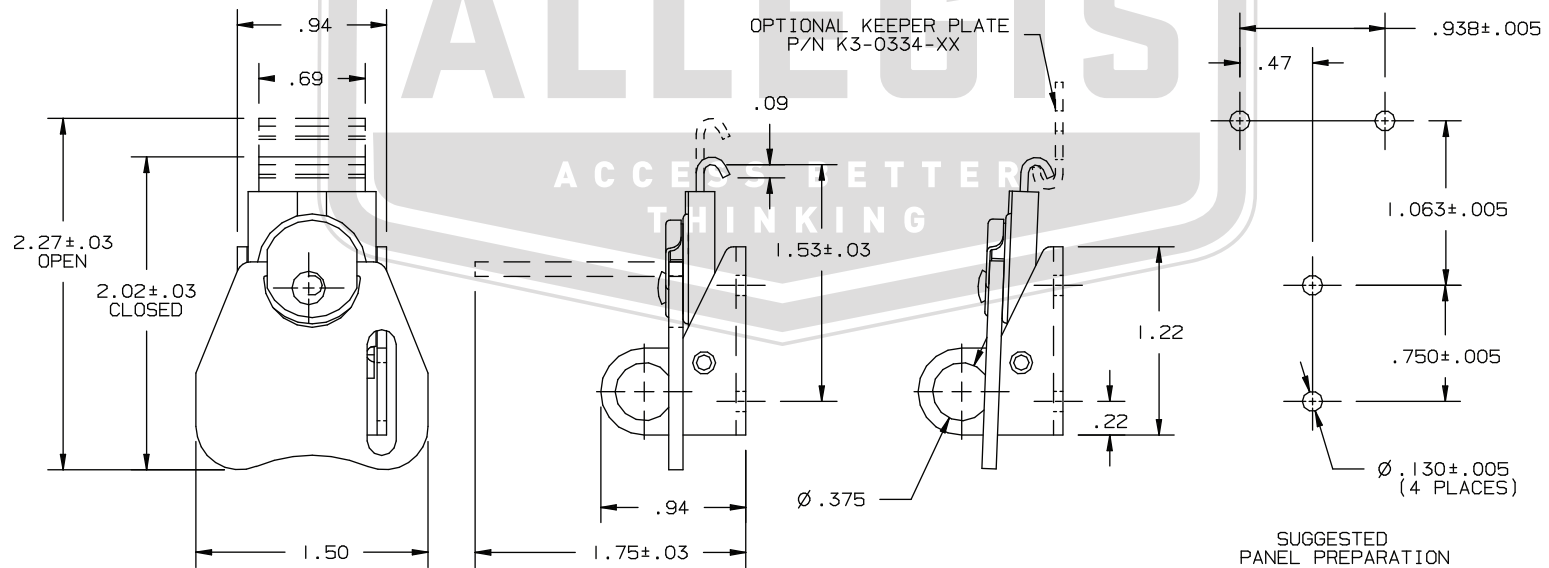
DATE

REV.	DATE	BY-CHKD	REVISIONS	PART NUMBER	MATERIAL	FINISH			
A	10FEB99	LRB	PRN: K3-256	K3-2403-07	SEE NOTE A	SEE NOTE B			
				K3-2403-08	SEE NOTE A	SEE NOTE C			
				K3-2403-09	SEE NOTE A	SEE NOTE D			
				K3-2403-52	STAINLESS STEEL	NATURAL			
				K3-2403-55	STAINLESS STEEL	BLACK OXIDE			
				K3-2403-80	SEE NOTE A	SEE NOTE E			

NOTES: MATERIAL & FINISH

A - HOUSING, WING, UPPER CAM AND LOWER-CAM ARE CARBON STEEL  
ANCHOR PLATE AND SLIDE ARE HARDENED ALLOY STEEL  
CAP, CAM RIVET AND ANCHOR PLATE RIVET ARE STAINLESS STEEL.

B - ZINC PLATE, BRIGHT CHROMATE DIP.  
C - ZINC PLATE, YELLOW CHROMATE DIP.  
D - ZINC PLATE, BLACK CHEOMATE DIP.  
E - ZINC BLACK ALLOY, BLACK CHROMATE



SUGGESTED  
PANEL PREPARATION

**ALLEGIS**

1-866-378-7550

MATERIAL:

Steel

DRAWING NO.:

K3-2403-07

FINISH:

Zinc Plate, bright chromate

REV.:

1:1

DATE:

5/30/2019