

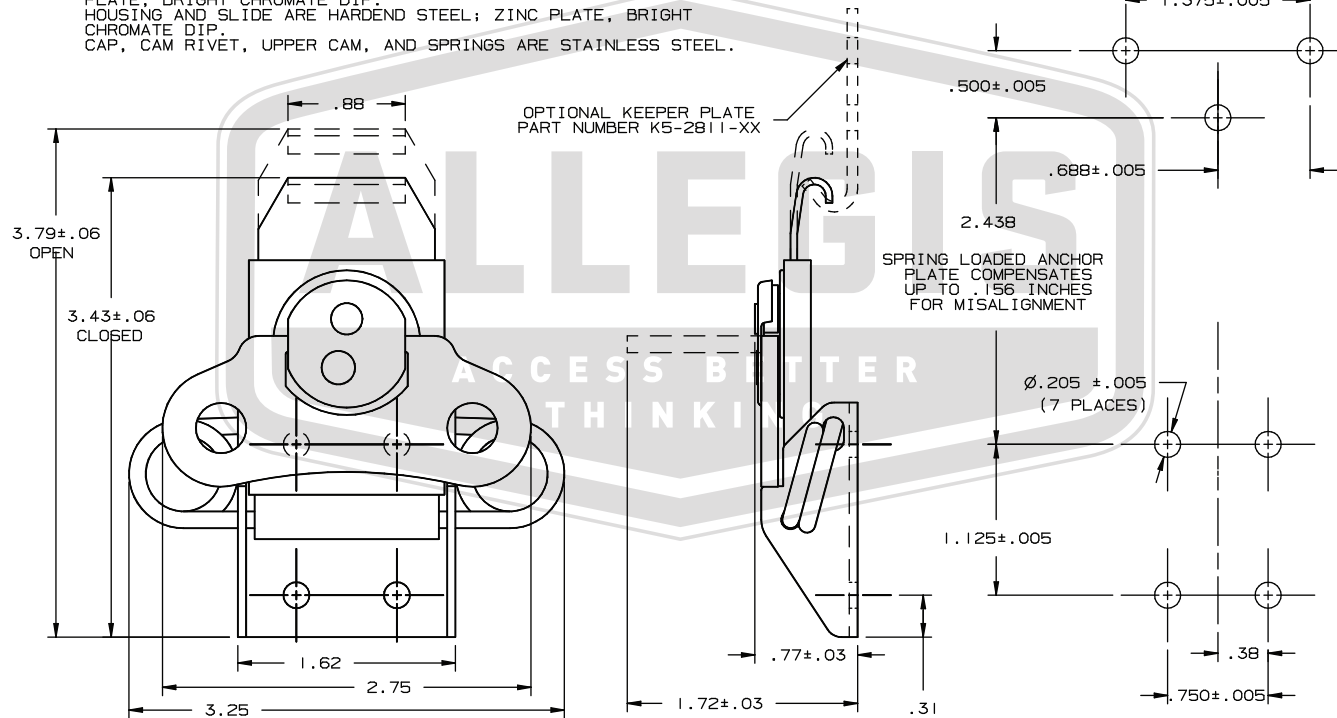
APPROVAL - CUSTOMER NAME & SIGNATURE

DATE

REV.	DATE	BY-CHKD	REVISIONS	PART NUMBER	MATERIAL	FINISH
				K5-2856-07	SEE NOTE A	SEE NOTE A
				K5-2856-52	STAINLESS STEEL	NATURAL
				K5-2856-63	STAINLESS STEEL	BLACK OXIDE
				K5-2856-80	STEEL	BLACK ZINC ALLOY

NOTES:
 A - MATERIAL AND FINISH:
 ANCHOR PLATE, WING AND LOWER CAM ARE CARBON STEEL; ZINC PLATE, BRIGHT CHROMATE DIP.
 HOUSING AND SLIDE ARE HARDEND STEEL; ZINC PLATE, BRIGHT CHROMATE DIP.
 CAP, CAM RIVET, UPPER CAM, AND SPRINGS ARE STAINLESS STEEL.

SUGGESTED
 PANEL PREPARATION



DIMENSIONS
 ARE IN
 INCHES

ALL DIMENSIONS WITHOUT TOLERANCES ARE
 FOR REFERENCE ONLY

ALLEGIS		1-866-378-7550
MATERIAL: Stainless Steel	DRAWING NO. : K5-2856-52	
FINISH: Passivated		
REV. : 1:1	DATE: 5/30/2019	