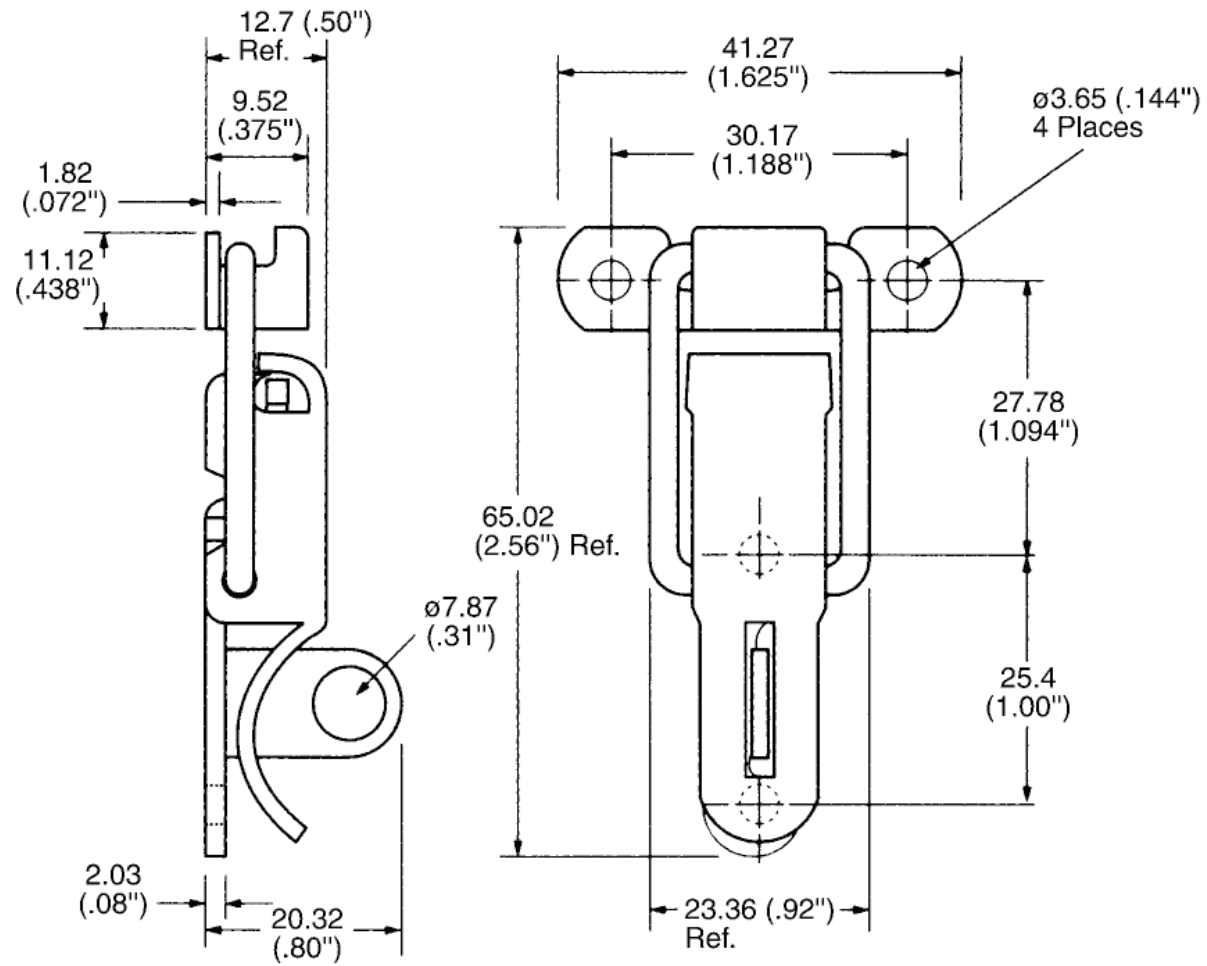


APPROVAL - CUSTOMER NAME & SIGNATURE

DATE



ALLEGIS

1-866-378-7550

MATERIAL:

Zinc

DRAWING NO.:

LA11227 ZN

FINISH:

REV.:

1:1

DATE:

6/17/2019