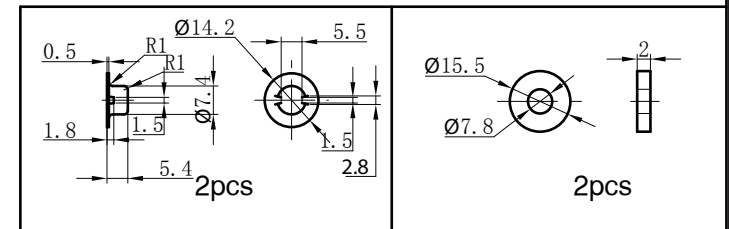
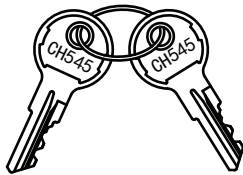
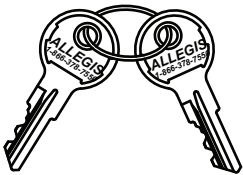
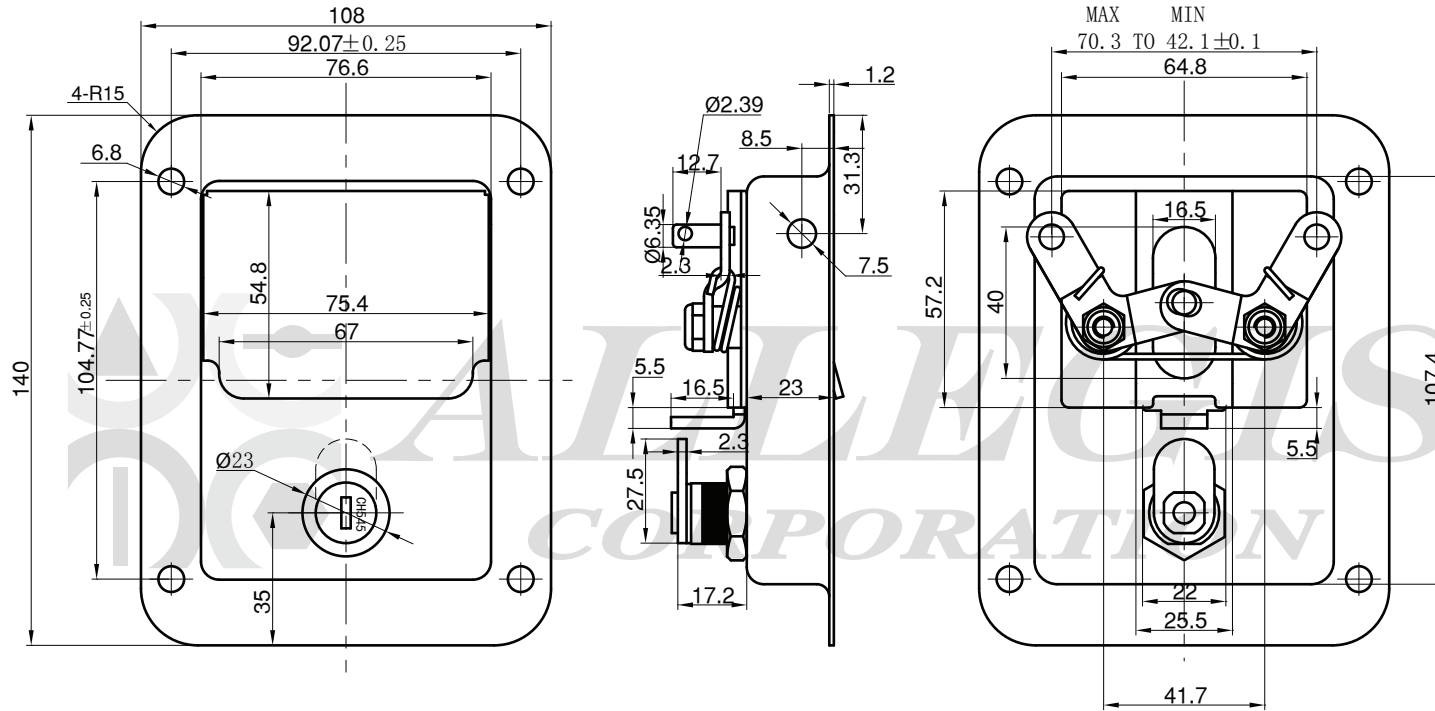


APPROVAL - CUSTOMER NAME & SIGNATURE

DATE



PAN. PADDLE 8. PIVOT PIN SS 304 ←  
 SPRING MATERIAL: WIRE  
 ALL OTHER: CARBON STEEL ZINC PLATED

		TOLERANCES FOR UNSPECIFIED DIMENSIONS					
MATERIAL:	DRAWING NO. :	SIZE	A	B	SIZE	A	B
SS 304	LA2001 SS	5 under	±0.15	±0.20	250->500	±0.60	±1.00
FINISH:		5->10	±0.20	±0.30	500->750	±0.80	±1.20
REV. :		10->25	±0.25	±0.40	750->up	±1.20	±1.50
Comparison: 1:2		25->50	±0.30	±0.45	*A: CENTER TO CENTER	Unit mm	
DATE:		50->100	±0.40	±0.60	*B: OTHERS DIMENSIONS		
2012-06-13		100->250	±0.50	±0.80	*ANGLE ±1.0°		