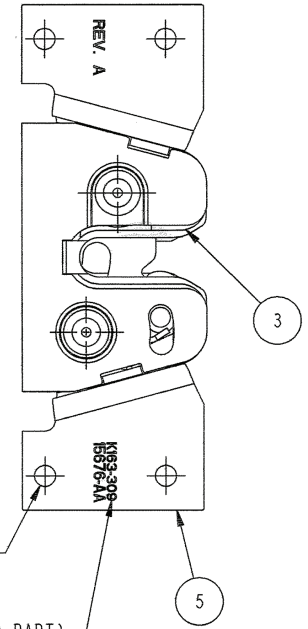
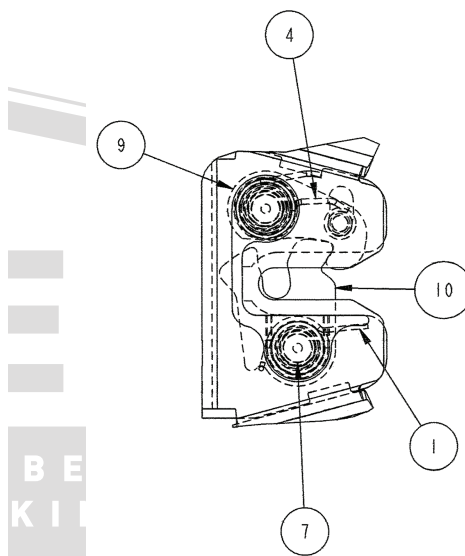
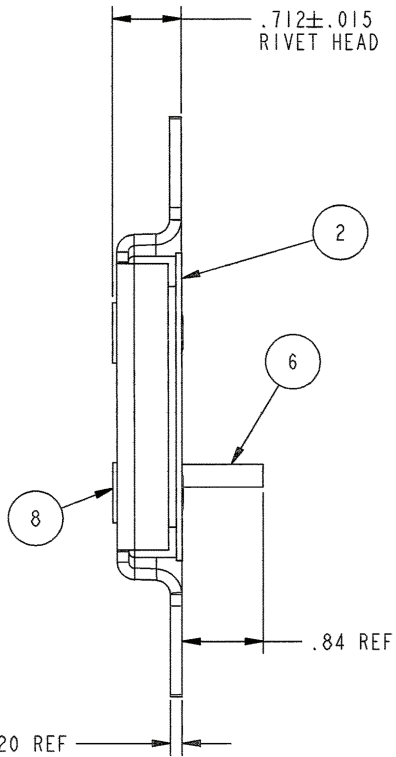
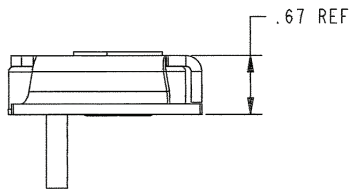
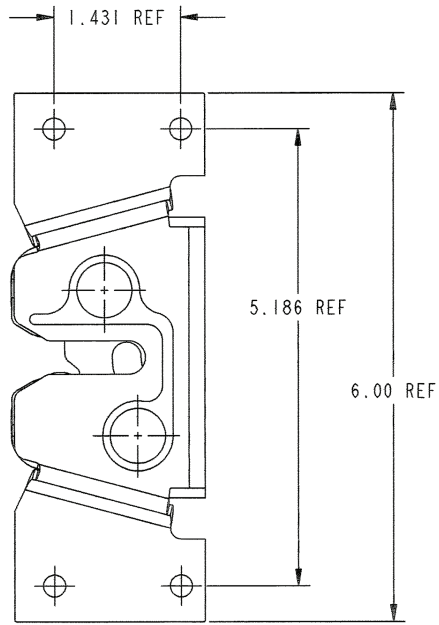


APPROVAL - CUSTOMER NAME & SIGNATURE

DATE



"K163-309" (LEFT HAND PART)
"15676-AA" (VENDOR CODE)

ALLEGIS

1-866-378-7550

MATERIAL:

DRAWING NO.:

LALA03

FINISH:

REV.:

1:1

DATE:

6/17/2019