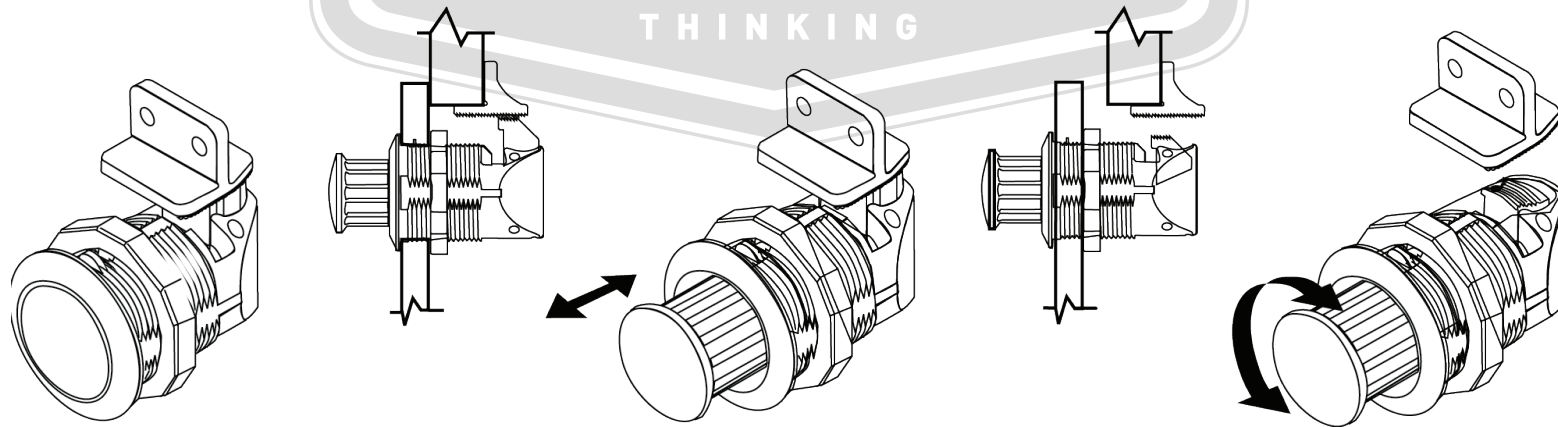
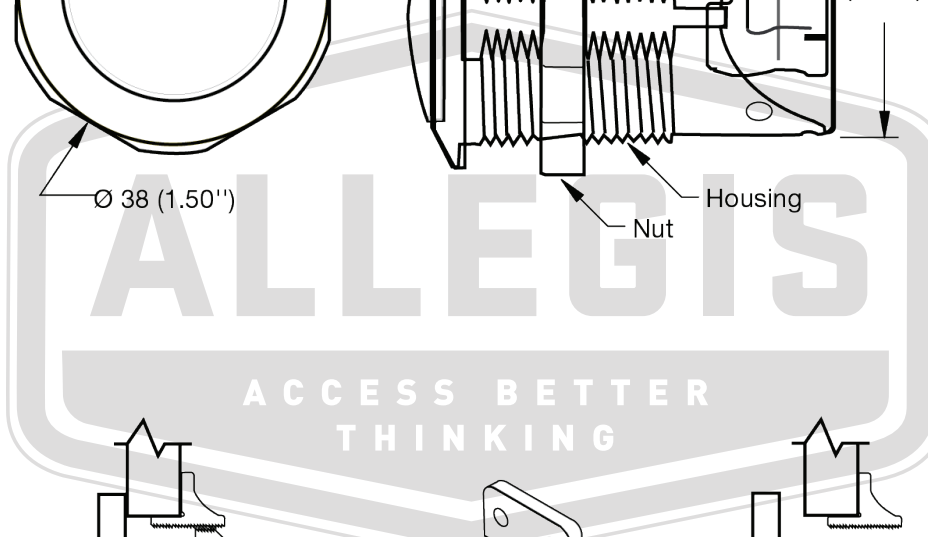
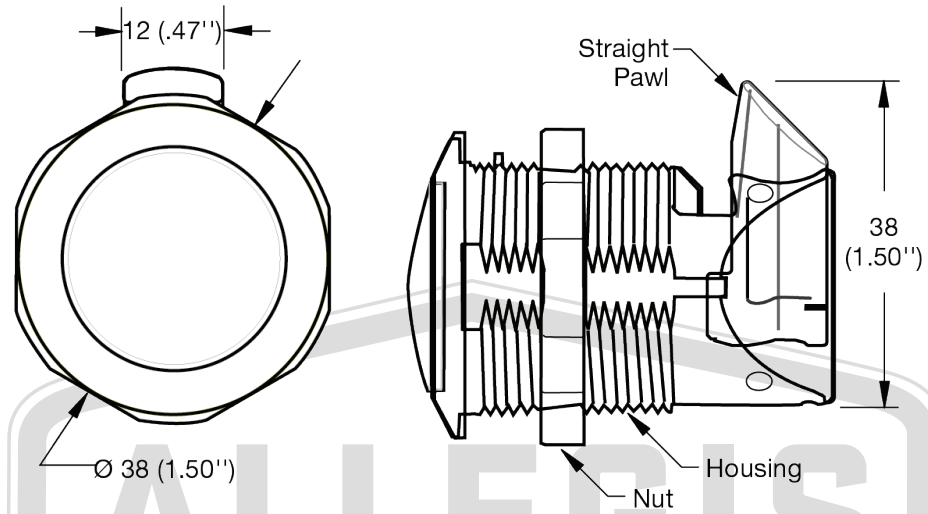


APPROVAL - CUSTOMER NAME & SIGNATURE

DATE



<b>ALLEGIS</b>		1-866-378-7550
MATERIAL:	DRAWING NO. : M1-2A-13-5	
FINISH:		
REV.:	1:1	DATE: 6/17/2019